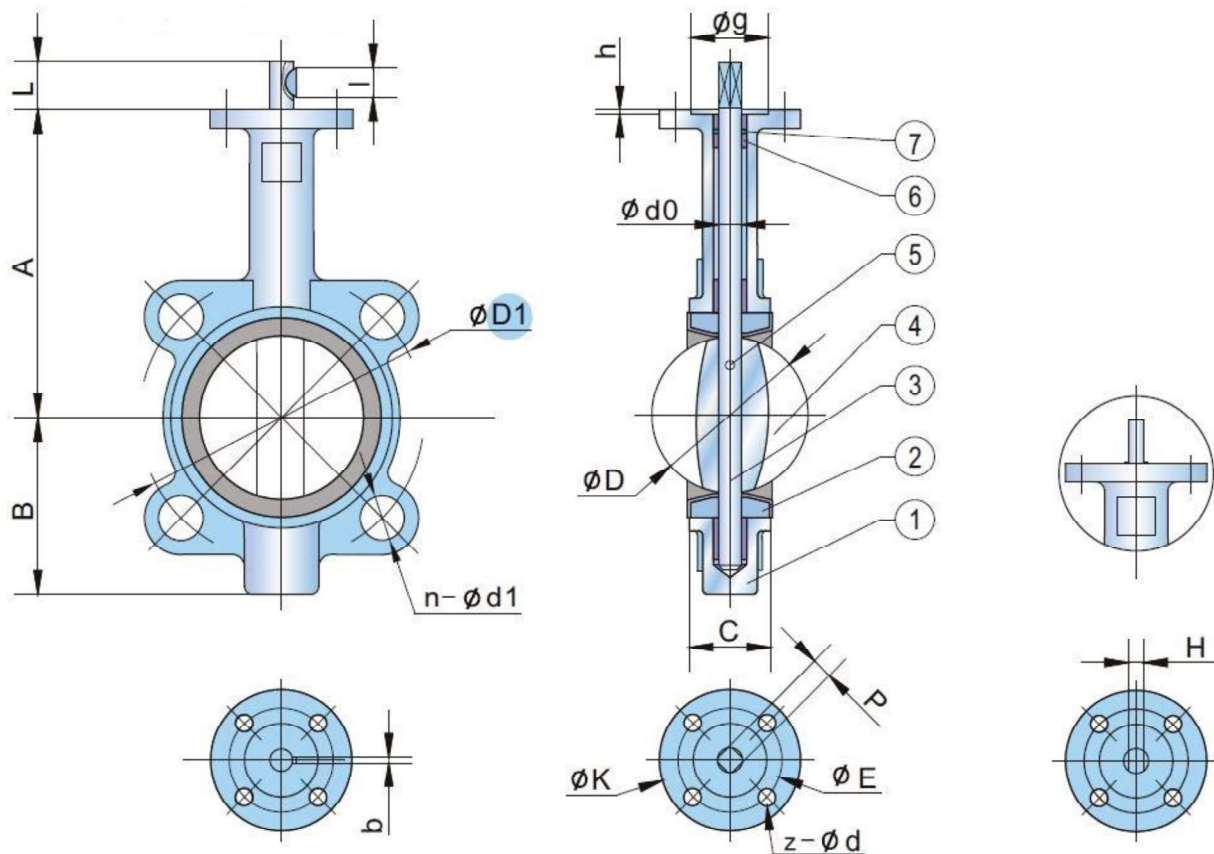


# ПРИЛОЖЕНИЕ

## Межфланцевый (тип Wafer)



Размер	in	DN	A	B	C	D	L	d0	P	H	Шпонка bXl	Верхний фланец				ANSI 150		DIN PN10/16		Вес (kg)
												K	E	z-d	g	h	D1	n-d1	D1	
1-1/2	40	145	75	33	42.4	32	12.6	9	10	3X16	77	50	4-7	35	3	98.5	4-16	110	4-18	2.2
2	50	161	80	42	52.6	32	12.6	9	10	3X16	77	50	4-7	35	3	120.5	4-19	125	4-18	2.5
2-1/2	65	175	89	44.7	64.5	32	12.6	9	10	3X16	77	50	4-7	35	3	139.5	4-19	145	4-18	3.2
3	80	181	95	45.2	78.8	32	12.6	9	10	3X16	77	50	4-7	35	3	152.5	4-19	160	4/8-18	3.6
4	100	200	114	52.1	104	32	15.77	11	12	5X19	90	70	4-9	55	3	190.5	8-19	180	8-18	4.9
5	125	213	127	54.4	123.3	32	18.92	14	14	5X19	90	70	4-9	55	3	216	8-22	210	8-18	7.0
6	150	226	139	55.8	155.6	32	18.92	14	14	5X19	90	70	4-9	55	3	241.5	8-22	240	8-23	7.8
8	200	260	175	60.6	202.5	45	22.1	17	17	5X19	125	102	4-12	70	3.5	298.5	8-22	295	8/12-23	13.2
10	250	292	203	65.6	250.5	45	28.45	22	22	8X28	125	102	4-12	70	3.5	362	12-25	350/355	12-23/27	19.2
12	300	337	242	76.9	301.6	45	31.6	22	24	8X28	140	102	4-12	70	3.5	432	12-25	400/410	12-23/27	32.5
14	350	368	267	76.5	333.3	45	31.6	22	24	8X28	140	102	4-12	70	3.5	476	12-29	460/470	16-23/27	41.3
16	400	400	309	86.5	389.6	51.2	33.15	27	24	10X50	197	140	4-18	100	4	540	16-29	515/525	16-27/30	61
18	450	422	328	105.6	440.5	51.2	38	27	27	10X50	197	140	4-18	100	4	578	16-32	565/585	20-27/30	79
20	500	480	361	131.8	491.6	64.2	41.15	36	32	10X50	197	140	4-18	100	4	635	20-32	620/650	20-27/33	128
24	600	562	459	152	592.5	70.2	50.65	36	36	2-16X60	276	165	4-23	130	5	749.5	20-35	725/770	20-30/36	188
28	700	624	520	163	695	66	63.35	-	-	2-18X63	300	254	8-18	200	5.5	863.5	28-35	840	24-30/36	284
30	750	660	539	165	744.3	66	63.35	-	-	2-18X63	300	254	8-18	200	5.5	914.5	28-35	-	-	328
32	800	672	591	188	794.7	66	63.35	-	-	2-18X63	300	254	8-18	200	5.5	978	28-41	950	24-33/39	368
36	900	720	656	203	864.7	118	75	-	-	2-20X100	300	254	8-18	200	5.5	1086	32-41	1050	28-33/39	713
40	1000	800	721	216	965	142	85	-	-	2-22X125	300	254	8-18	200	5.5	1200	36-41	1160/1170	28-36/42	864