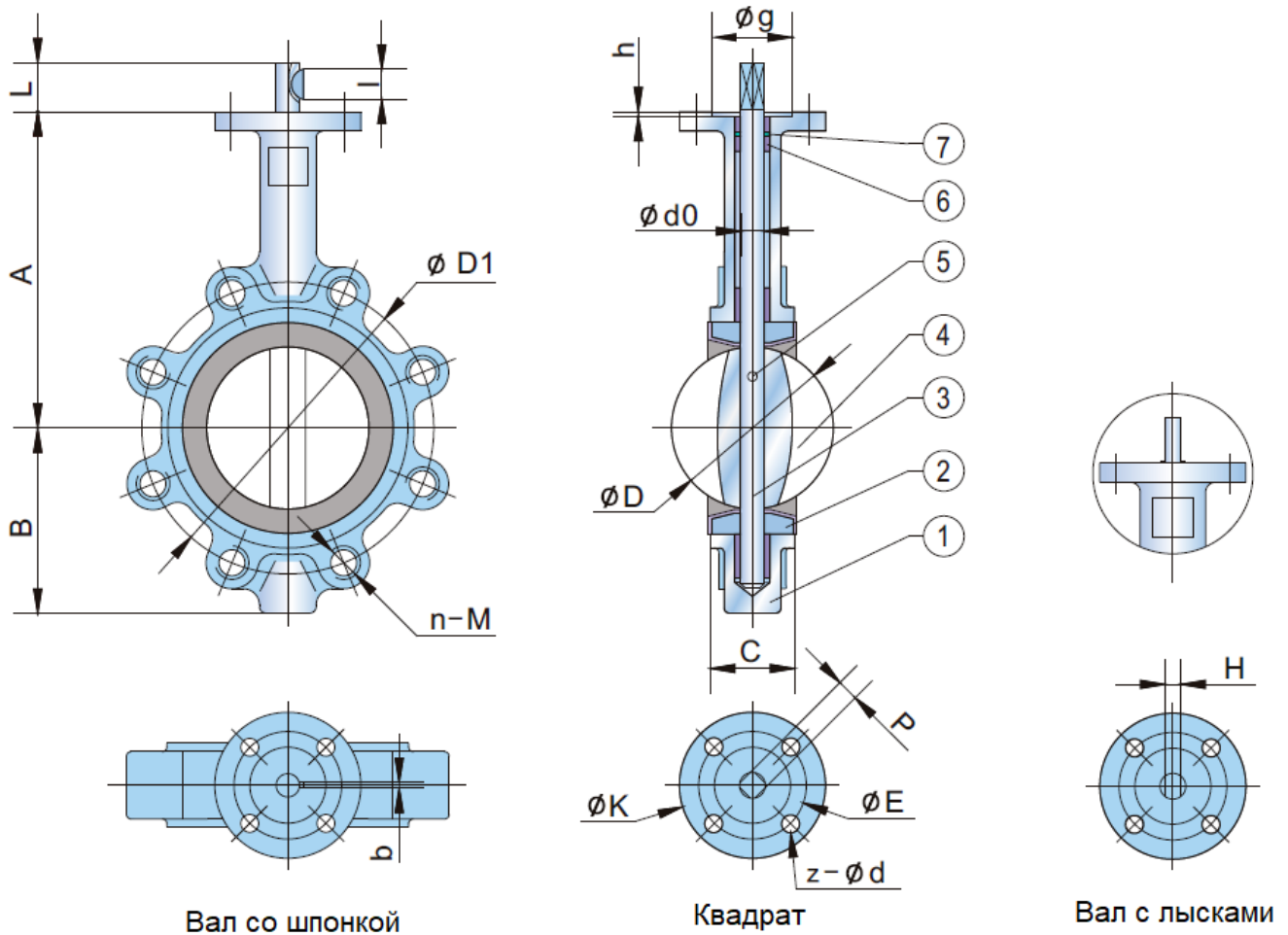


## Межфланцевый (тип Lug)



Размер		A	B	C	D	L	d0	P	H	Шпонка bXl	Верхний фланец				ANSI 150		DIN PN10/16		Вес (kg)	
in	DN										K	E	z-d	g	h	D1	n-M	D1		n-M
1-1/2	40	145	75	33	42.4	32	12.6	9	10	3X16	77	50	4-7	35	3	98.5	4-1/2"	110	4-M16	3.2
2	50	161	80	42	52.6	32	12.6	9	10	3X16	77	50	4-7	35	3	120.5	4-5/8"	125	4-M16	3.8
2-1/2	65	175	89	44.7	64.5	32	12.6	9	10	3X16	77	50	4-7	35	3	139.5	4-5/8"	145	4-M16	4.2
3	80	181	95	45.2	78.8	32	12.6	9	10	3X16	77	50	4-7	35	3	152.5	4-5/8"	160	4/8-M16	4.7
4	100	200	114	52.1	104	32	15.77	11	12	5X19	90	70	4-9	55	3	190.5	8-5/8"	180	8-M16	9.0
5	125	213	127	54.4	123.3	32	18.92	14	14	5X19	90	70	4-9	55	3	216	8-3/4"	210	8-M16	10.9
6	150	226	139	55.8	155.6	32	18.92	14	14	5X19	90	70	4-9	55	3	241.5	8-3/4"	240	8-M20	14.2
8	200	260	175	60.6	202.5	45	22.1	17	17	5X19	125	102	4-12	70	3.5	298.5	8-3/4"	295	8/12-M20	18.2
10	250	292	203	65.6	250.5	45	28.45	22	22	8X28	125	102	4-12	70	3.5	362	12-7/8"	350/355	12-M20/M24	26.8
12	300	337	242	76.9	301.6	45	31.6	22	24	8X28	140	102	4-12	70	3.5	432	12-7/8"	400/410	12-M20/M24	40
14	350	368	267	76.5	333.3	45	31.6	22	24	8X28	140	102	4-12	70	3.5	476	12-1"	460/470	16-M20/M24	56
16	400	400	309	86.5	389.6	51.2	33.15	27	24	10X50	197	140	4-18	100	4	540	16-1"	515/525	16-M24/M27	96
18	450	422	328	105.6	440.5	51.2	38	27	27	10X50	197	140	4-18	100	4	578	16-1 1/8"	565/585	20-M24/M27	122
20	500	480	361	131.8	491.6	64.2	41.15	36	32	10X50	197	140	4-18	100	4	635	20-1 1/8"	620/650	20-M24/M30	202
24	600	562	459	152	592.5	70.2	50.65	36	36	2-16X60	276	165	4-23	130	5	749.5	20-1 1/4"	725/770	20-M27/M33	270