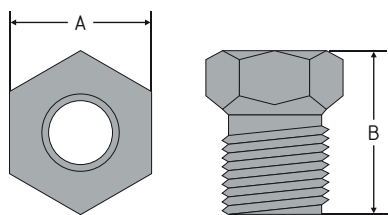


Комплекующие детали для фитингов



Гайка



Кольцо



Муфта



Цанга

| Артикул | | | | Рабочее давление | Тип порта | Размер трубки O.D. | Размеры | |
|-----------|----------|-----------|-----------|--------------------------|-----------|--------------------|---------|------|
| Гайка | Кольцо | Муфта | Заглушка | | | | A | B |
| FA11GS02 | FA11SS02 | — | — | 758 бар (11 000 psi) | H1102 | 1/8" | 12 | 14.5 |
| FA11GS04 | FA11SS04 | — | — | 792 бар (11 500 psi) | H1104 | 1/4" | 16 | 16 |
| FA11GS06 | FA11SS06 | — | — | 517 бар (7 500 psi) | H706 | 3/8" | 17 | 19 |
| FA11GS08 | FA11SS08 | — | — | 379 бар (5 500 psi) | H508 | 1/2" | 25.4 | 24 |
| FA20GS04 | — | FA20RS04 | FA20PS04 | 1 378 бар (20 000 psi) | H2004 | 1/4" | 12 | 16 |
| FA20GS06 | — | FA20RS06 | FA20PS06 | | H2006 | 3/8" | 16 | 20 |
| FA20GS09 | — | FA20RS09 | FA20PS09 | | H2009 | 9/16" | 22 | 27 |
| FA20GS12 | — | FA20RS12 | FA20PS12 | | H2012 | 3/4" | 27 | 28 |
| FA20GS16 | — | FA20RS16 | FA20PS16 | | H2016 | 1" | 36 | 38 |
| FA30GS02 | — | FA30RS02 | FA30PS02 | 2 068 бар (30 000 psi) | H3002 | 1/8" | 13 | 18 |
| FA30GS16 | — | FA30RS16 | FA30PS16 | | H3016 | 1" | 36 | 38 |
| FA60GS04 | — | FA60RS04 | FA60PS04 | 4 136 бар (60 000 psi) | H6004 | 1/4" | 16 | 20 |
| FA60GS06 | — | FA60RS06 | FA60PS06 | | H6006 | 3/8" | 20 | 30 |
| FA60GS09 | — | FA60RS09 | FA60PS09 | | H6009 | 9/16" | 30 | 38 |
| FA100GS04 | — | FA100RS04 | FA100PS04 | 6 894 бар (100 000 psi) | H10004 | 1/4" | 16 | 30 |
| FA150GS06 | — | FA150RS06 | FA150PS06 | 10 342 бар (150 000 psi) | H15006 | 3/8" | 20 | 30 |

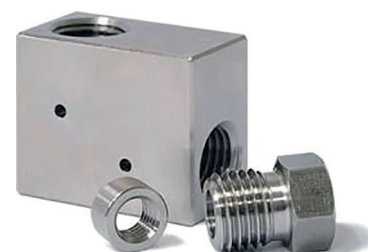
Антивибрационное подсоединение

| Артикул | | | Рабочее давление | Тип порта | Размер трубки O.D. | Размеры | |
|-------------|----------|-------------|------------------------|-----------|--------------------|---------|----|
| Гайка | Кольцо | Муфта | | | | A | B |
| FA20GS04-AV | FA20RS04 | FA20TS04-AV | 1 378 бар (20 000 psi) | H2004 | 1/4" | 12 | 16 |
| FA20GS06-AV | FA20RS06 | FA20TS06-AV | | H2006 | 3/8" | 16 | 20 |
| FA20GS09-AV | FA20RS09 | FA20TS09-AV | | H2009 | 9/16" | 22 | 27 |
| FA20GS12-AV | FA20RS12 | FA20TS12-AV | | H2012 | 3/4" | 27 | 28 |
| FA20GS16-AV | FA20RS16 | FA20TS16-AV | | H2016 | 1" | 36 | 38 |
| FA60GS04-AV | FA60RS04 | FA60TS04-AV | 4 136 бар (60 000 psi) | H6004 | 1/4" | 16 | 20 |
| FA60GS06-AV | FA60RS06 | FA60TS06-AV | | H6006 | 3/8" | 20 | 30 |
| FA60GS09-AV | FA60RS09 | FA60TS09-AV | | H6009 | 9/16" | 30 | 38 |

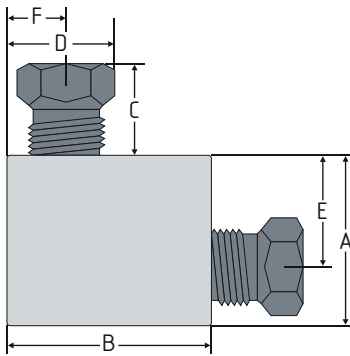
| | | | | | |
|------------------------|-------|-------|---------|---------|---------|
| 1 378 бар (20 000 psi) | | | | | |
| | Гайка | Цанга | Адаптер | Муфта | Ниппель |
| 4 136 бар (60 000 psi) | | | | | |
| | Гайка | Цанга | Муфта | Ниппель | |



| Рабочее давление | Размер трубы O.D. | Фитинг | | | Детали подсоединения | | |
|--|-------------------|-------------|-------------|-------------|----------------------|-------------|-------------|
| | | Уголок | Тройник | Крест | Гайка | Кольцо | Муфта |
| 758 бар (11 000 psi) 792 бар (11 500 psi) 517 бар (7 500 psi) 379 бар (5 500 psi) | 1/8" | FT11ES02 | FT11TS02 | FT11CS02 | FA11GS02 | FA11SS02 | — |
| | 1/4" | FT11ES04 | FT11TS04 | FT11CS04 | FA11GS04 | FA11SS04 | — |
| | 3/8" | FT11ES06 | FT11TS06 | FT11CS06 | FA11GS06 | FA11SS06 | — |
| | 1/2" | FT11ES08 | FT11TS08 | FT11CS08 | FA11GS08 | FA11SS08 | — |
| 1 378 бар (20 000 psi) | 1/4" | FT20ES04 | FT20TS04 | FT20CS04 | FA20GS04 | — | FA20RS04 |
| | 3/8" | FT20ES06 | FT20TS06 | FT20CS06 | FA20GS06 | — | FA20RS06 |
| | 9/16" | FT20ES09 | FT20TS09 | FT20CS09 | FA20GS09 | — | FA20RS09 |
| | 3/4" | FT20ES12 | FT20TS12 | FT20CS12 | FA20GS12 | — | FA20RS12 |
| | 1" | FT20ES16 | FT20TS16 | FT20CS16 | FA20GS16 | — | FA20RS16 |
| 2 068 бар (30 000 psi) | 1/8" | FT30ES02 | FT30TS02 | FT30CS02 | FA30GS02 | — | FA30RS02 |
| | 1" | FT30ES16 | FT30TS16 | FT30CS16 | FA30GS16 | — | FA30RS16 |
| 4 136 бар (60 000 psi) | 1/4" | FT60ES04 | FT60TS04 | FT60CS04 | FA60GS04 | — | FA60RS04 |
| | 3/8" | FT60ES06 | FT60TS06 | FT60CS06 | FA60GS06 | — | FA60RS06 |
| | 9/16" | FT60ES09 | FT60TS09 | FT60CS09 | FA60GS09 | — | FA60RS09 |
| 6 894 бар (100 000 psi) 10 342 бар (150 000 psi) | 1/4" | FT100ES04 | FT100TS04 | FT100CS04 | FA100GS04 | — | FA100RS04 |
| | 3/8" | FT150ES06 | FT150TS06 | FT150CS06 | FA150GS06 | — | FA150RS06 |
| Антивибрационное подсоединение | | Уголок | Тройник | Крест | Гайка | Муфта | Цанга |
| 1 378 бар (20 000 psi) | 1/4" | FT20ES04-AV | FT20TS04-AV | FT20CS04-AV | FA20GS04-AV | FA20RS04-AV | FA20TS04-AV |
| | 3/8" | FT20ES06-AV | FT20TS06-AV | FT20CS06-AV | FA20GS06-AV | FA20RS06-AV | FA20TS06-AV |
| | 9/16" | FT20ES09-AV | FT20TS09-AV | FT20CS09-AV | FA20GS09-AV | FA20RS09-AV | FA20TS09-AV |
| | 3/4" | FT20ES10-AV | FT20TS12-AV | FT20CS12-AV | FA20GS12-AV | FA20RS12-AV | FA20TS12-AV |
| | 1" | FT20ES12-AV | FT20TS16-AV | FT20CS16-AV | FA20GS16-AV | FA20RS16-AV | FA20TS16-AV |
| 4 136 бар (60 000 psi) | 1/4" | FT60ES04-AV | FT60TS04-AV | FT60CS04-AV | FA60GS04-AV | FA60RS04-AV | FA60TS04-AV |
| | 3/8" | FT60ES06-AV | FT60TS06-AV | FT60CS06-AV | FA60GS06-AV | FA60RS06-AV | FA60TS06-AV |
| | 9/16" | FT60ES09-AV | FT60TS09-AV | FT60CS09-AV | FA60GS09-AV | FA60RS09-AV | FA60TS09-AV |

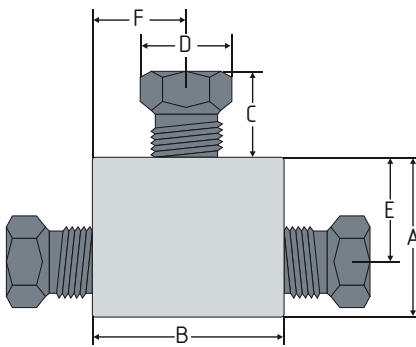


Фитинги высокого давления



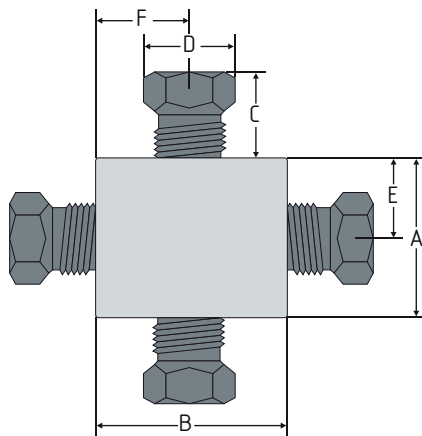
Уголок

| Артикул. | Рабочее давление | Тип порта | Размер трубки O.D. | Ду | Размеры | | | | | | Толщина |
|-----------|-------------------------|-----------|--------------------|------|---------|------|-------|--------|------|------|---------|
| | | | | | A | B | C | D(HEX) | E | F | |
| FT11ES02 | 758 бар (11 000 psi) | H1102 | 1/8" | 1.4 | 25 | 25 | 12.2 | 12 | 19 | 7 | 15.5 |
| FT11ES04 | 792 бар (11 500 psi) | H1104 | 1/4" | 4 | 35 | 35 | 12.2 | 16 | 25 | 10 | 20 |
| FT11ES06 | 517 бар (7 500 psi) | H706 | 3/8" | 5.5 | 35 | 35 | 14 | 19 | 25 | 10 | 20 |
| FT11ES08 | 379 бар (5 500 psi) | H508 | 1/2" | 8.5 | 45 | 45 | 16.3 | 25.4 | 31.5 | 13.5 | 25 |
| FT20ES04 | 1378 бар (20 000 psi) | H2004 | 1/4" | 2.8 | 25 | 30 | 13.8 | 12 | 17.5 | 8 | 16 |
| FT20ES06 | | H2006 | 3/8" | 5.2 | 35 | 35 | 14.2 | 16 | 25 | 10 | 20 |
| FT20ES09 | | H2009 | 9/16" | 9.1 | 45 | 45 | 19.3 | 22 | 31.5 | 13.5 | 25 |
| FT20ES12 | | H2012 | 3/4" | 13 | 57 | 57 | 19.3 | 28 | 38 | 19 | 35 |
| FT20ES16 | | H2016 | 1" | 17.5 | 76 | 76 | 21.7 | 35 | 52.5 | 23.5 | 45 |
| FT30ES02 | 2068 бар (30 000 psi) | H3002 | 1/8" | 1.16 | 28 | 28 | 8.7 | 13 | 19 | 9 | 20 |
| FT30ES16 | | H3016 | 1" | 11.1 | 76 | 76 | 21.7 | 35 | 52.5 | 23.5 | 45 |
| FT60ES04 | 4136 бар (60 000 psi) | H6004 | 1/4" | 2.4 | 35 | 35 | 12.83 | 16 | 22.5 | 12.5 | 25 |
| FT60ES06 | | H6006 | 3/8" | 3.2 | 38 | 45 | 18.6 | 20 | 25 | 13.5 | 25 |
| FT60ES09 | | H6009 | 9/16" | 4.8 | 47.5 | 67 | 21.66 | 30 | 28.5 | 19 | 38 |
| FT100ES04 | 6894 бар (100 000 psi) | H10004 | 1/4" | 2.4 | 44.5 | 44.5 | 14.4 | 16 | 31.5 | 13 | 25 |
| FT150ES06 | 10342 бар (150 000 psi) | H15006 | 3/8" | 2.4 | 67 | 67 | 18.3 | 20 | 45 | 22 | 38 |



Тройник

| Артикул. | Рабочее давление | Тип порта | Размер трубки O.D. | Ду | Размеры | | | | | | Толщина |
|-----------|-------------------------|-----------|--------------------|------|---------|------|-------|--------|------|-------|---------|
| | | | | | A | B | C | D(HEX) | E | F | |
| FT11TS02 | 758 бар (11 000 psi) | H1102 | 1/8" | 1.4 | 25 | 38 | 12.2 | 12 | 19 | 19 | 15.5 |
| FT11TS04 | 792 бар (11 500 psi) | H1104 | 1/4" | 4 | 35 | 50 | 12.2 | 16 | 25 | 25 | 20 |
| FT11TS06 | 517 бар (7 500 psi) | H706 | 3/8" | 5.5 | 35 | 50 | 14 | 19 | 25 | 25 | 20 |
| FT11TS08 | 379 бар (5 500 psi) | H508 | 1/2" | 8.5 | 45 | 63 | 16.3 | 25.4 | 31.5 | 31.5 | 25 |
| FT20TS04 | 1378 бар (20 000 psi) | H2004 | 1/4" | 2.8 | 25 | 44 | 13.8 | 12 | 17.5 | 22 | 16 |
| FT20TS06 | | H2006 | 3/8" | 5.2 | 35 | 50 | 14.2 | 16 | 25 | 25 | 20 |
| FT20TS09 | | H2009 | 9/16" | 9.1 | 45 | 63 | 19.3 | 22 | 31.5 | 31.5 | 25 |
| FT20TS12 | | H2012 | 3/4" | 13 | 57 | 76 | 19.3 | 28 | 38 | 38 | 35 |
| FT20TS16 | | H2016 | 1" | 17.5 | 76 | 105 | 21.7 | 35 | 52.5 | 52.5 | 45 |
| FT30TS02 | 2068 бар (30 000 psi) | H3002 | 1/8" | 1.16 | 38 | 28 | 8.7 | 13 | 19 | 19 | 20 |
| FT30TS16 | | H3016 | 1" | 11.1 | 76 | 105 | 21.7 | 35 | 52.5 | 52.5 | 45 |
| FT60TS04 | 4136 бар (60 000 psi) | H6004 | 1/4" | 2.4 | 35 | 50 | 12.83 | 16 | 22.5 | 25 | 25 |
| FT60TS06 | | H6006 | 3/8" | 3.2 | 40 | 50 | 18.6 | 20 | 27 | 25 | 25 |
| FT60TS09 | | H6009 | 9/16" | 4.8 | 54 | 67 | 21.66 | 30 | 35 | 33.25 | 38 |
| FT100TS04 | 6894 бар (100 000 psi) | H10004 | 1/4" | 2.4 | 63 | 44.5 | 14.4 | 16 | 31.5 | 31.5 | 25 |
| FT150TS06 | 10342 бар (150 000 psi) | H15006 | 3/8" | 2.4 | 90 | 67 | 18.3 | 20 | 45 | 45 | 38 |



Крест

| Артикул. | Рабочее давление | Тип порта | Размер трубки O.D. | Ду | Размеры | | | | | | Толщина |
|-----------|-------------------------|-----------|--------------------|------|---------|-----|-------|--------|-------|------|---------|
| | | | | | A | B | C | D(HEX) | E | F | |
| FT11CS02 | 758 бар (11 000 psi) | H1102 | 1/8" | 1.4 | 38 | 38 | 12.2 | 12 | 19 | 19 | 15.5 |
| FT11CS04 | 792 бар (11 500 psi) | H1104 | 1/4" | 4 | 50 | 50 | 12.2 | 16 | 25 | 25 | 20 |
| FT11CS06 | 517 бар (7 500 psi) | H706 | 3/8" | 5.5 | 50 | 50 | 14 | 19 | 25 | 25 | 20 |
| FT11CS08 | 379 бар (5 500 psi) | H508 | 1/2" | 8.5 | 63 | 63 | 16.3 | 25.4 | 31.5 | 31.5 | 25 |
| FT20CS04 | 1378 бар (20 000 psi) | H2004 | 1/4" | 2.8 | 35 | 44 | 13.8 | 12 | 17.5 | 22 | 16 |
| FT20CS06 | | H2006 | 3/8" | 5.2 | 50 | 50 | 14.2 | 16 | 25 | 25 | 20 |
| FT20CS09 | | H2009 | 9/16" | 9.1 | 63 | 63 | 19.3 | 22 | 31.5 | 31.5 | 25 |
| FT20CS12 | | H2012 | 3/4" | 13 | 76 | 76 | 19.3 | 28 | 38 | 38 | 35 |
| FT20CS16 | | H2016 | 1" | 17.5 | 105 | 105 | 21.7 | 35 | 52.5 | 52.5 | 45 |
| FT30CS02 | 2068 бар (30 000 psi) | H3002 | 1/8" | 1.16 | 38 | 38 | 8.7 | 13 | 19 | 19 | 20 |
| FT30CS16 | | H3016 | 1" | 11.1 | 105 | 105 | 21.7 | 35 | 52.5 | 52.5 | 45 |
| FT60CS04 | 4136 бар (60 000 psi) | H6004 | 1/4" | 2.4 | 38 | 50 | 12.83 | 16 | 19 | 25 | 25 |
| FT60CS06 | | H6006 | 3/8" | 3.2 | 50 | 54 | 18.6 | 20 | 25 | 27 | 25 |
| FT60CS09 | | H6009 | 9/16" | 4.8 | 67 | 70 | 21.66 | 30 | 33.25 | 35 | 38 |
| FT100CS04 | 6894 бар (100 000 psi) | H10004 | 1/4" | 2.4 | 63 | 63 | 14.4 | 16 | 31.5 | 31.5 | 25 |
| FT150CS06 | 10342 бар (150 000 psi) | H15006 | 3/8" | 2.4 | 90 | 90 | 18.3 | 20 | 45 | 45 | 38 |

Низкое давление

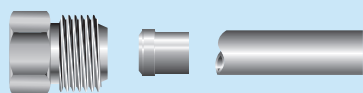
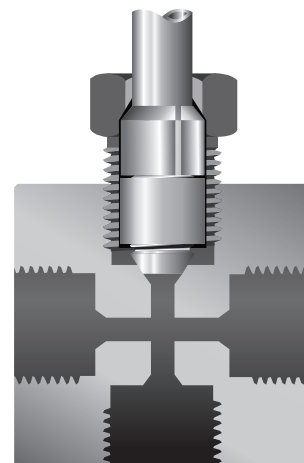
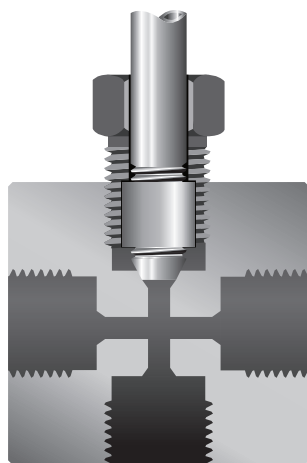
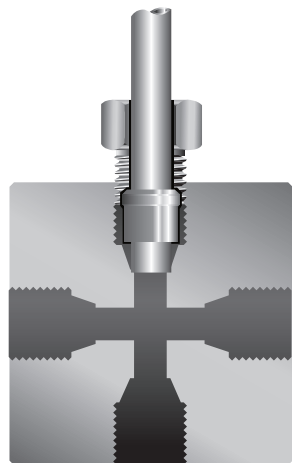
379 / 517 / 758 / 792 бар
(5 500 / 7 500 / 11 000 / 11 500 psi)

Высокое давление

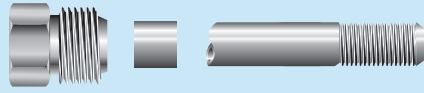
1378 / 2068 / 4136 / 6894 / 10342 бар
(20 000 / 30 000 / 60 000 / 100 000 / 150 000 psi)

Антивибрационное подсоединение

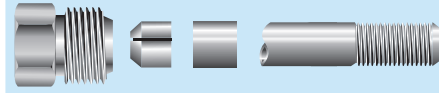
1378 / 4136 бар
(20 000 / 60 000 psi)



Гайка Кольцо Трубка



Гайка Муфта Ниппель



Гайка Цанга Муфта Ниппель



| Артикул | Рабочее давление | Тип порта | Размер трубки O.D. | Размеры | | Толщина | Площадь потока | Рабочее давление в бар (в диапазоне температуры) | | | | |
|---------|-----------------------------|-----------|--------------------|------------------|--------------------|---------|----------------|--|-----------------|------------------|------------------|------------------|
| | | | | Наружный диаметр | Внутренний диаметр | | | -17.8...37.8°C 0...100°F | "93°C 200°F" | "204°C 400°F" | "316°C 600°F" | "343°C 650°F" |
| T11S02 | 758 бар (11 000 psi) | H1102 | 1/8" | 3.18 | 1.57 | 0.81 | 1.94 | 803 | 803 | 775 | 731 | 679 |
| T11S04 | 792 бар (11 500 psi) | H1104 | 1/4" | 6.35 | 3.18 | 1.57 | 7.74 | 803 | 762 | 775 | 731 | 679 |
| T11S06 | 517 бар (7 500 psi) | H706 | 3/8" | 9.53 | 6.35 | 1.57 | 31.61 | 517 | 517 | 496 | 469 | 434 |
| T11S08 | 379 бар (5 500 psi) | H508 | 1/2" | 12.7 | 9.53 | 1.57 | 70.97 | 379 | 379 | 362 | 341 | 317 |
| | | | | | | | | "-198...37.8°C -325...100°F" | "93°C 200°F" | "204°C 400°F" | "316°C 600°F" | "343°C 650°F" |
| T20S04 | 1 378 бар (20 000 psi) | H2004 | 1/4" | 6.35 | 2.77 | 1.78 | 5.81 | 1379 | 1379 | 1327 | 1244 | 1158 |
| T20S06 | | H2006 | 3/8" | 9.53 | 5.16 | 2.18 | 20.65 | 1379 | 1379 | 1327 | 1244 | 1158 |
| T20S09 | | H2009 | 9/16" | 14.29 | 7.92 | 3.18 | 49.03 | 1379 | 1379 | 1327 | 1244 | 1158 |
| T20S10 | | H2012 | 3/4" | 19.05 | 11.13 | 3.96 | 97.42 | 1379 | 1379 | 1327 | 1244 | 1158 |
| T20S12 | | H2016 | 1" | 25.4 | 14.27 | 5.56 | 160.0 | 1379 | 1379 | 1327 | 1244 | 1158 |
| T30S02 | 2 068 бар (30 000 psi) | H3002 | 1/8" | 3.18 | 1.02 | 1.08 | | - | - | - | - | - |
| T30S12 | | H3016 | 1" | 25.4 | 11.1 | 7.15 | | - | - | - | - | - |
| T60S04 | 4 136 бар (60 000 psi) | H6004 | 1/4" | 6.35 | 2.11 | 2.11 | 3.23 | 4137 | 4137 | 3982 | 3740 | 3496 |
| T60S06 | | H6006 | 3/8" | 9.53 | 3.18 | 3.18 | 7.74 | 4137 | 4137 | 3982 | 3740 | 3496 |
| T60S09 | | H6009 | 9/16" | 14.29 | 4.78 | 4.75 | 18.06 | 4137 | 4137 | 3982 | 3740 | 3496 |
| T100S04 | 6 894 бар (100 000 psi) | H10004 | 1/4" | 6.35 | 1.59 | 2.38 | 3.23 | 6895 | 6865 | 6633 | 6230 | 5820 |
| T150S06 | 10 342 бар (150 000 psi) | H15006 | 3/8" | 9.53 | 1.59 | 3.97 | 7.74 | 10342 | 10342 | 9956 | 9401 | 8739 |



| Артикул | Рабочее давление | Тип порта | Размер трубки O.D. | Размеры | | Толщина | Минимальная длина | Площадь потока | Рабочее давление в бар (в диапазоне температуры) | | | | |
|---------|-----------------------------|-----------|--------------------|------------------|--------------------|---------|-------------------|----------------|--|-----------------|------------------|------------------|------------------|
| | | | | Наружный диаметр | Внутренний диаметр | | | | -17.8...37.8°C 0...100°F | "93°C 200°F" | "204°C 400°F" | "316°C 600°F" | "343°C 650°F" |
| N20S04 | 1 378 бар (20 000 psi) | H2004 | 1/4" | 6.35 | 2.77 | 1.78 | 70 | 5.81 | 1378 | 1378 | 1327. | 1244 | 1158 |
| N20S06 | | H2006 | 3/8" | 9.53 | 5.16 | 2.18 | 88 | 20.65 | 1378 | 1378 | 1327. | 1244 | 1158 |
| N20S09 | | H2009 | 9/16" | 14.29 | 7.92 | 3.18 | 110 | 49.03 | 1378 | 1378 | 1327 | 1244 | 1158 |
| N20S10 | | H2012 | 3/4" | 19.05 | 11.13 | 3.96 | 118 | 97.42 | 1378 | 1378 | 1327 | 1244 | 1158 |
| N20S12 | | H2016 | 1" | 25.4 | 14.27 | 5.56 | 168 | 160.0 | 1378 | 1378. | 1327 | 1244 | 1158 |
| N30S02 | 2 068 бар (30 000 psi) | H3002 | 1/8" | 3.18 | 1.02 | 1.08 | 43 | | — | — | — | — | — |
| N30S12 | | H3016 | 1" | 25.4 | 11.1 | 7.15 | 168 | | — | — | — | — | — |
| N60S04 | 4 136 бар (60 000 psi) | H6004 | 1/4" | 6.35 | 2.11 | 2.11 | 74 | 3.23 | 4136 | 4136 | 3981 | 3740 | 3495 |
| N60S06 | | H6006 | 3/8" | 9.53 | 3.18 | 3.18 | 104 | 7.74 | 4136 | 4136 | 3981 | 3740 | 3495 |
| N60S09 | | H6009 | 9/16" | 14.29 | 4.78 | 4.75 | 135 | 18.06 | 4136 | 4136 | 3981 | 3740 | 3495 |
| N100S04 | 6 894 бар (100 000 psi) | H10004 | 1/4" | 6.35 | 2.11 | 2.11 | 103 | 3.23 | 6894 | 6864 | 6633 | 6230 | 5820 |
| N150S06 | 10 342 бар (150 000 psi) | H15006 | 3/8" | 9.53 | 1.59 | 3.97 | 135 | 7.74 | 10342 | 10342 | 9955.87 | 9400 | 8738 |



Резьба с одной стороны



Резьба с обеих сторон