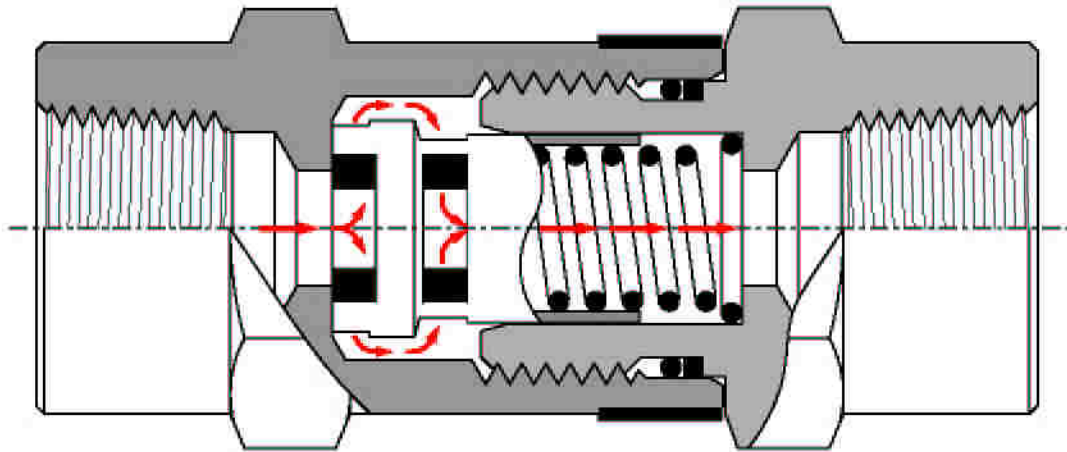


Excess Flow Valves

Catalog No. H-EF100

Feb. 2003



EF Series

Introduction

Stops uncontrolled release of system media in the event of a downstream line rupture.

Specifications

Pressure rating : up to 6,000 psig (413bar)

Temperature rating : up to 356°F (180°C)

Port size : 1/8 to 3/4 pipe thread end connection

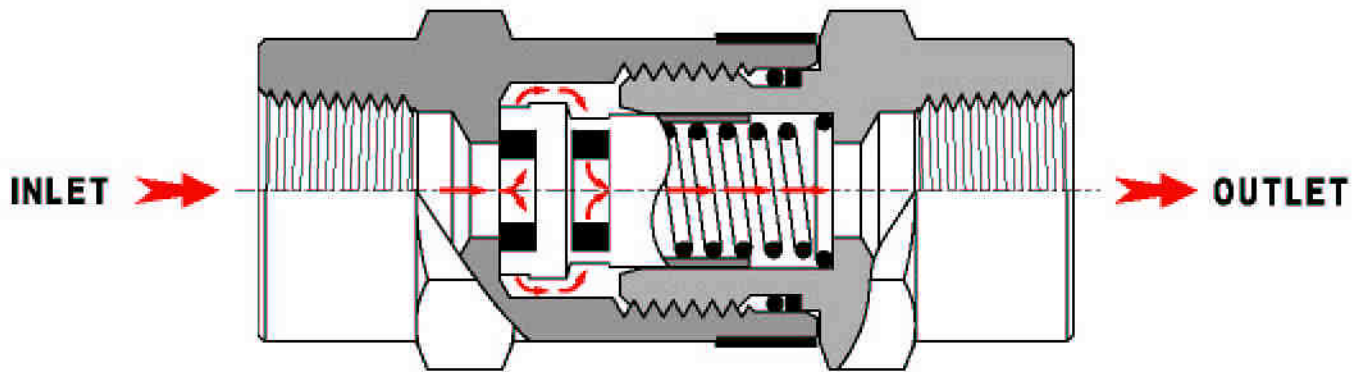
Body material : available in 316 stainless steel.



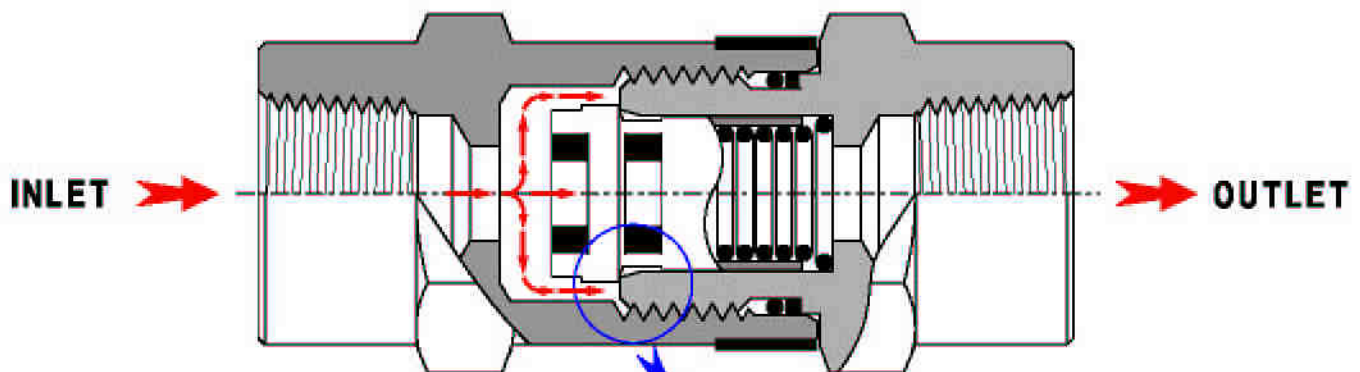
HY-LOK CORPORATION

EF Series Excess Flow Valves

OPEN POSITION



TRIPPED POSITION



Operation

The spring loaded poppet remains in the open position during normal system operation. Should an excess flow condition occur downstream, the poppet rapidly moves to the tripped position stopping uncontrolled release of system media. When pressure equalizes through the bleed vent, the spring automatically resets the poppet and opens the valve.

METAL SEAT

- Improves durability
- Requires minimal maintenance

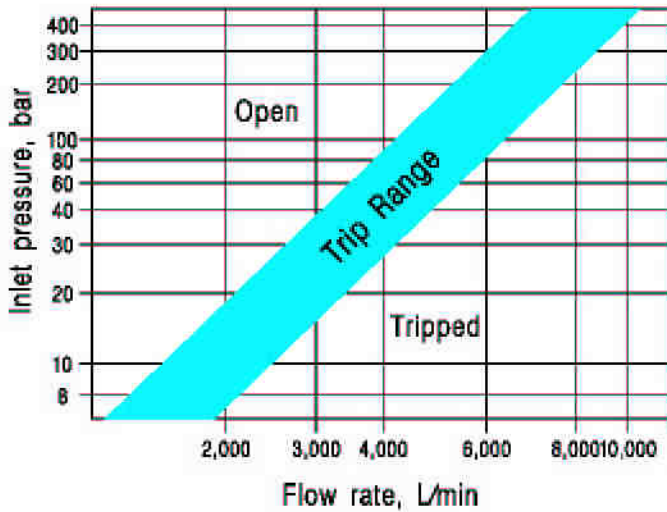
BLEED VENT

- Eliminates complex bypass mechanisms
- Resets poppet automatically

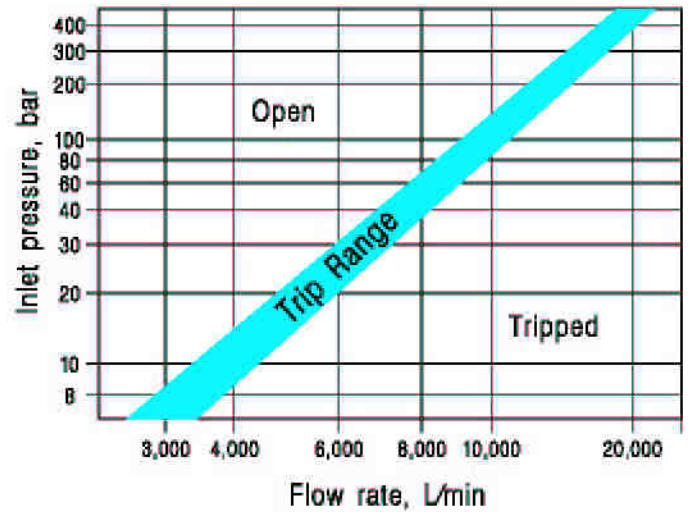
EF Series Excess Flow Valves

Flow Curves

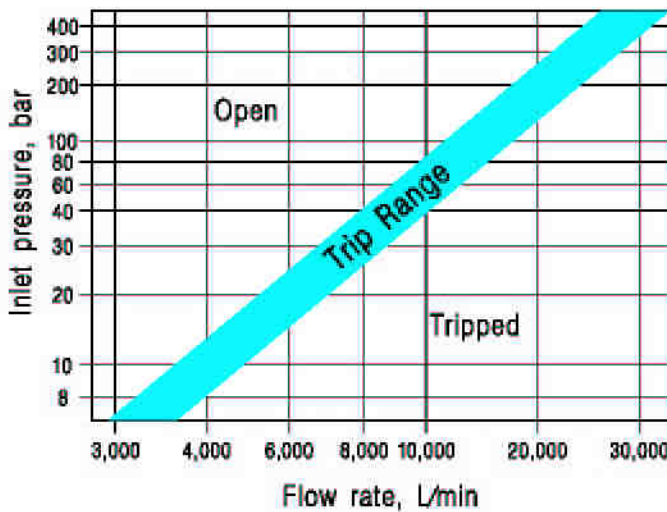
EF4 Air Flow



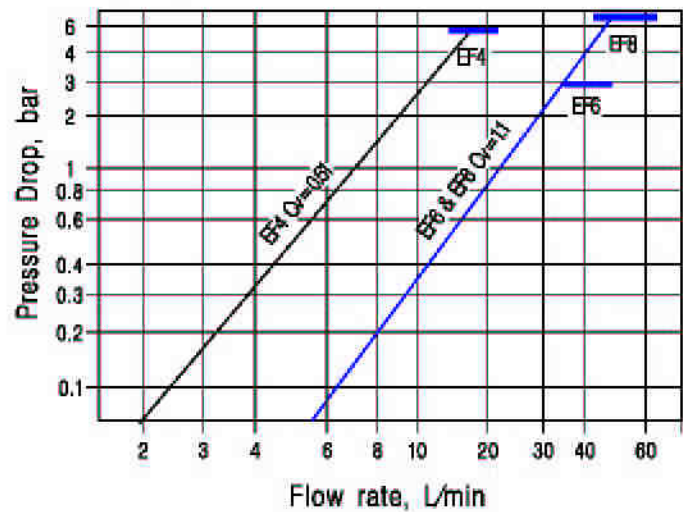
EF6 Air Flow



EF8 Air Flow



EF4,EF6,EF8 Water Flow

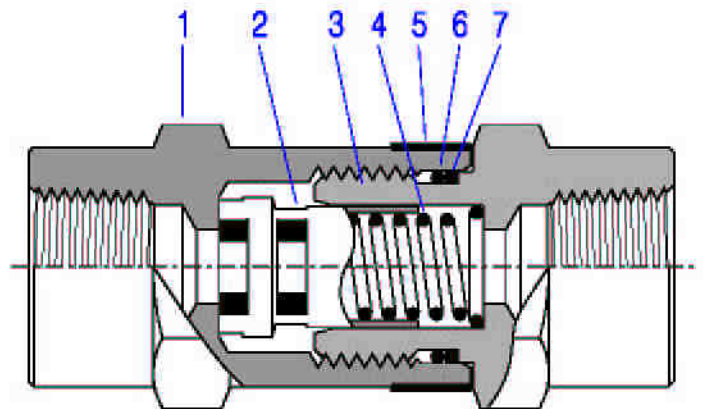


Materials of Construction

Item #	Part Description	Material
1	Cap	ASTM A479 TP316
2	Poppet	ASTM A479 TP316
3	Body	ASTM A479 TP316
4	Spring	ASTM A313 TP302
5	Label	Polyetherimide
6	O-Ring	Viton
7	Back-up Ring	Teflon

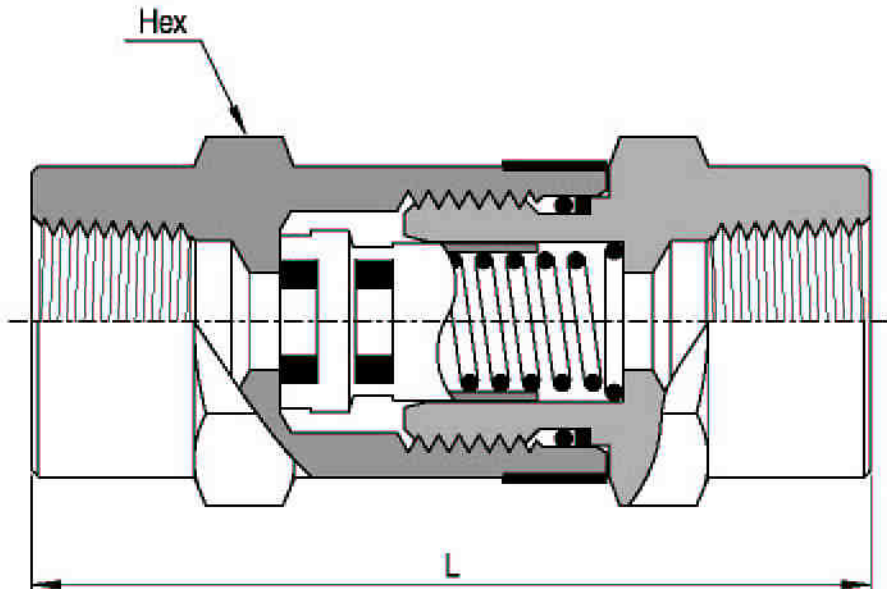
Options

1. Back-up Ring : Optional PEEK is available
2. Spring : optional spring are available



EF Series Excess Flow Valves

Table of Dimensions



Basic Part Number	End Connection		L		Hex	
	Inlet	Outlet	in	mm	in	mm
EF4MF-4N	1/4 Male NPT	1/4 Female NPT	2.13	54.1	11/16	17.5
EF4FM-4N	1/4 Female NPT	1/4 Male NPT	2.16	54.9	11/16	17.5
EF4F-4N	1/4 Female NPT	1/4 Female NPT	2.12	54.0	11/16	17.5
EF6MF-6N	3/8 Male NPT	3/8 Female NPT	2.46	62.5	1	25.4
EF6FM-6N	3/8 Female NPT	3/8 Male NPT	2.45	62.2	1	25.4
EF6F-6N	3/8 Female NPT	3/8 Female NPT	2.55	64.8	1	25.4
EF8MF-8N	1/2 Male NPT	1/2 Female NPT	2.89	73.4	1-1/4	31.8
EF8FM-8N	1/2 Female NPT	3/4 Male NPT	2.88	73.2	1-1/4	31.8
EF8F-8N	1/2 Female NPT	1/2 Female NPT	3.03	77.0	1-1/4	31.8
EF8MF-12N	3/4 Male NPT	3/4 Female NPT	3.09	78.5	1-1/2	38.1
EF8FM-12N	3/4 Female NPT	3/4 Male NPT	3.08	78.2	1-1/2	38.1
EF8F-12N	3/4 Female NPT	3/4 Female NPT	3.23	82.0	1-1/2	38.1

Ordering Information

