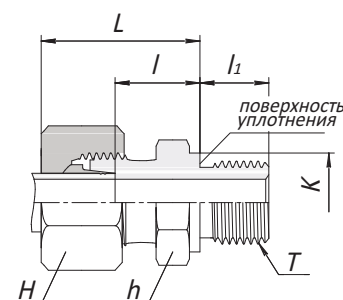


Штуцер с наружной резьбой (BSPF цилиндрическая)

DMC-G

DMC-G.FLD.RU



Серия	Заказной код	Наружный диаметр	H	h	K	L	l	l ₁	T	PN(бар)		
										Угл. сталь	SS316	Латунь
L	DMC-06L-01G.FLD.RU	6	14	14	14	23.0	8.5	8	PF 1/8	315	315	200
	DMC-06L-02G.FLD.RU	6	14	19	18	25.0	10.0	12	PF 1/4	315	315	200
	DMC-06L-03G.FLD.RU	6	14	22	22	26.0	11.5	12	PF 3/8	315	315	200
	DMC-06L-04G.FLD.RU	6	14	27	26	27.0	12.0	14	PF 1/2	315	315	
	DMC-08L-01G.FLD.RU	8	17	14	14	23.0	8.5	8	PF 1/8	315	315	
	DMC-08L-02G.FLD.RU	8	17	19	18	25.0	10.0	12	PF 1/4	315	315	200
	DMC-08L-03G.FLD.RU	8	17	22	22	26.0	11.5	12	PF 3/8	315	315	200
	DMC-08L-04G.FLD.RU	8	17	27	26	27.0	12.0	14	PF 1/2	315	315	200
	DMC-10L-02G.FLD.RU	10	19	19	18	26.0	11.0	12	PF 1/4	315	315	200
	DMC-10L-03G.FLD.RU	10	19	22	22	27.0	12.5	12	PF 3/8	315	315	200
	DMC-10L-04G.FLD.RU	10	19	27	26	28.0	13.0	14	PF 1/2	315	315	200
	DMC-12L-02G.FLD.RU	12	22	19	18	27.0	12.0	12	PF 1/4	315	315	200
	DMC-12L-03G.FLD.RU	12	22	22	22	27.0	12.5	12	PF 3/8	315	315	200
	DMC-12L-04G.FLD.RU	12	22	27	26	28.0	13.0	14	PF 1/2	315	315	200
	DMC-12L-06G.FLD.RU	12	22	32	32	29.0	14.0	16	PF 3/4	315	315	
	DMC-15L-03G.FLD.RU	15	27	24	22	29.0	13.5	12	PF 3/8	250	250	160
	DMC-15L-04G.FLD.RU	15	27	27	26	29.0	14.0	14	PF 1/2	250	250	160
	DMC-15L-06G.FLD.RU	15	27	32	32	30.0	15.0	16	PF 3/4	250	250	
	DMC-18L-03G.FLD.RU	18	32	27	22	29.5	14.0	12	PF 3/8	250	250	
	DMC-18L-04G.FLD.RU	18	32	27	26	31.0	14.5	14	PF 1/2	250	250	160
DMC-18L-06G.FLD.RU	18	32	32	32	30.0	14.5	16	PF 3/4	250	250		
DMC-22L-04G.FLD.RU	22	36	32	26	33.0	16.5	14	PF 1/2	160	160	100	
DMC-22L-06G.FLD.RU	22	36	32	32	33.0	16.5	16	PF 3/4	160	160	100	
DMC-28L-06G.FLD.RU	28	41	41	32	34.0	17.5	16	PF 3/4	160	160		
DMC-28L-08G.FLD.RU	28	41	41	39	34.0	17.5	18	PF 1	160	160	100	
DMC-35L-08G.FLD.RU	35	50	46	39	39.0	17.5	18	PF 1	160	160		
DMC-35L-10G.FLD.RU	35	50	50	49	39.0	17.5	20	PF 1 1/4	160	160	100	
DMC-42L-12G.FLD.RU	42	60	55	55	42.0	19.0	22	PF 1 1/2	160	160	100	
S	DMC-06S-02G.FLD.RU	6	17	19	18	28.0	13.0	12	PF 1/4	400	400	250
	DMC-06S-04G.FLD.RU	6	17	27	26	33.0	18.0	14	PF 1/2	400	400	
	DMC-08S-02G.FLD.RU	8	19	19	18	30.0	15.0	12	PF 1/4	400	400	250
	DMC-08S-03G.FLD.RU	8	19	22	22	30.0	15.5	12	PF 3/8	400	400	
	DMC-10S-02G.FLD.RU	10	22	19	18	31.0	14.5	12	PF 1/4	400	400	
	DMC-10S-03G.FLD.RU	10	22	22	22	31.0	15.0	12	PF 3/8	400	400	250
	DMC-10S-04G.FLD.RU	10	22	27	26	34.0	17.5	14	PF 1/2	400	400	
	DMC-12S-02G.FLD.RU	12	24	22	18	33.0	16.5	12	PF 1/4	400	400	
	DMC-12S-03G.FLD.RU	12	24	22	22	33.0	17.0	12	PF 3/8	400	400	250
	DMC-12S-04G.FLD.RU	12	24	27	26	34.0	17.5	14	PF 1/2	400	400	
	DMC-14S-03G.FLD.RU	14	27	24	22	36.0	18.5	12	PF 3/8	400	400	
	DMC-14S-04G.FLD.RU	14	27	27	26	37.0	19.0	14	PF 1/2	400	400	250
	DMC-16S-03G.FLD.RU	16	30	27	22	36.0	18.0	12	PF 3/8	400	400	
	DMC-16S-04G.FLD.RU	16	30	27	26	37.0	18.5	14	PF 1/2	400	400	250
	DMC-16S-06G.FLD.RU	16	30	32	32	39.0	20.5	16	PF 3/4	400	400	
	DMC-20S-04G.FLD.RU	20	36	32	26	42.0	20.5	14	PF 1/2	400	400	
	DMC-20S-06G.FLD.RU	20	36	32	32	42.0	20.5	16	PF 3/4	400	400	250
	DMC-25S-06G.FLD.RU	25	46	41	32	47.0	23.0	16	PF 3/4	250	250	160
	DMC-25S-08G.FLD.RU	25	46	41	39	47.0	23.0	18	PF 1	250	250	
	DMC-30S-08G.FLD.RU	30	50	46	39	50.0	23.5	18	PF 1	160	160	
DMC-30S-10G.FLD.RU	30	50	50	49	50.0	23.5	20	PF 1 1/4	160	160	100	
DMC-38S-10G.FLD.RU	38	60	55	49	57.0	26.0	20	PF 1 1/4	160	160		
DMC-38S-12G.FLD.RU	38	60	55	55	57.0	26.0	22	PF 1 1/2	160	160	100	