

# Bourdon Tube Pressure Gauge Inspector Test Gauge Model 332.54 - All Stainless Steel

WIKA Datasheet 332.54

## Applications

- Inspector's test gauge
- Testing and calibration of other pressure measuring instruments
- Suitable for corrosive environments where the fluid medium does not clog the connection or corrode the wetted parts material

## Product features

- All stainless steel construction
- (+/-) 0.25% full scale accuracy
- Supplied standard with calibration test report
- Supplied standard with padded carrying pouch

## Specifications

### Design

ASME B40.100

### Size

4" (100mm)

### Accuracy class

- $\pm 0.25\%$  of span (ASME B40.100 Grade 3A) for pressure range  $\leq 600$  psi (40 bar)
- $\pm 0.5\%$  of span (ASME B40.100 Grade 2A) for pressure range  $> 600$  psi (40 bar) and  $< 2,000$  psi (160 bar)
- $\pm 0.25\%$  of span (ASME B40.100 Grade 3A) for pressure range  $\geq 2,000$  psi (160 bar)

### Ranges (All ranges not stocked)

Vacuum / compound up to 200 psi (16 bar)

Pressure from 15 psi to 20,000 psi (all ranges not available in 0.25% accuracy) or other equivalent units of pressure or vacuum

### Bourdon Tube

Material: 316 SS

$\leq 1000$  psi (70 bar): C-shape

$> 1000$  psi (70 bar): Helical



Pressure Gauge 332.54

### Movement

Stainless steel

### Dial

White aluminum with black lettering and mirrored band

### Pointer

Black aluminum, micrometer adjustable, with knife edge

### Case

304 SS with vent plug and polished stainless steel bayonet ring. Welded case to socket connection

### Standard Scale

PSI

### Window

Laminated safety glass

### Working Range

Steady: Full scale value

Fluctuating: 0.9 x full scale value

Short time: 1.3 x full scale value

### Operating Temperature

Ambient: -40°F to 140°F (-40°C to 60°C)

Media: max. 212°F (+100°C)

**Temperature error**

Additional error when temperature changes from reference temperature of 68°F (20°C) ±0.4% of span for every 18°F (10°K) rising or falling.

**Connection**

Material: 316 SS  
Lower mount (LM)  
1/4" or 1/2" NPT

**Window Gasket**

Buna-N

**Weather protection**

Weather tight (NEMA 4X / IP 66)

**Other**

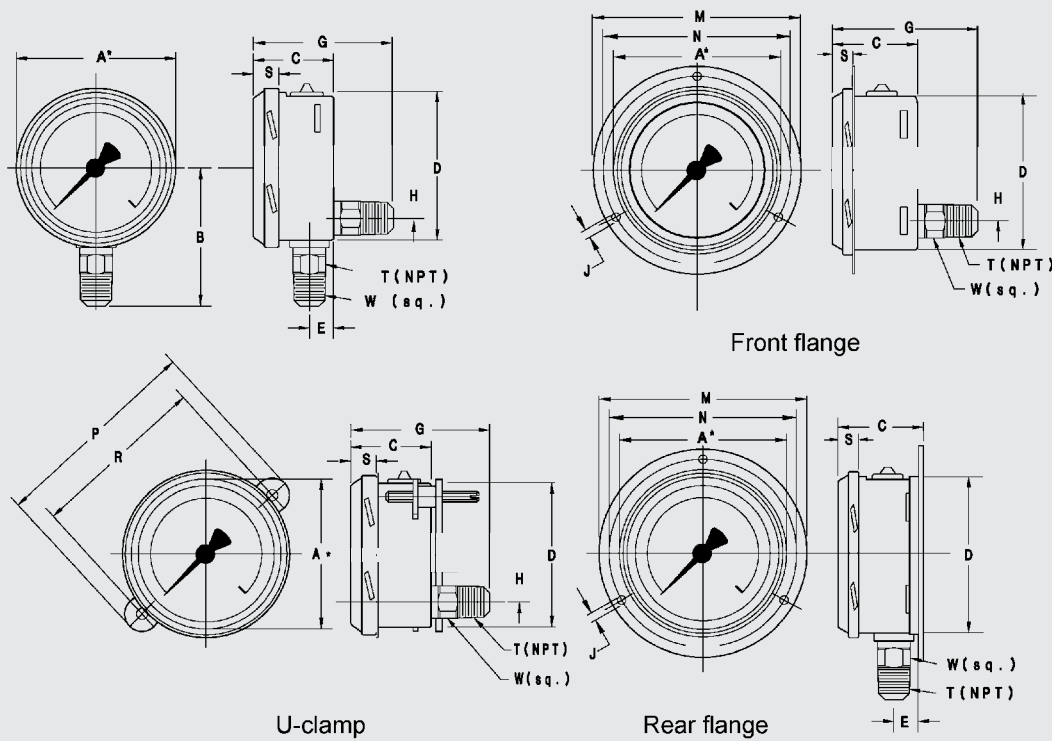
Supplied standard with a zippered, padded carry bag  
Supplied standard with calibration test report

**ORDER OPTIONS (min. order may apply)**

- Custom dial layout
- 316 SS threaded restrictor
- Polycarbonate window
- Flat instrument glass window
- Special connections limited to wrench flat area
- Other pressure scales available:
  - Bar, kPa, Kg/cm<sup>2</sup> and dual scales
  - Cleaned for oxygen service
  - Back connection\*
  - Front flange\*
  - U-clamp bracket\*

\*Not available with padded carrying pouch

**Dimensions**



Size		A	B	C	D	E	G	H	J	M	N	P	R	S	T	W	Weight
4"	mm	110	87	49.5	100	15.5	81	30	4.8	132	116	125	110	15		22	dry
	in	4.30	3.43	1.95	3.94	0.61	3.19	1.18	0.19	5.20	4.57	4.92	4.33	0.59	1/2"	0.87	1.25 lb.

Recommended panel cutout is dimension D + 1 mm

**Ordering information**

State computer part number (if available) /type number/size/range/connection size and locations/options required. WIKA reserves the right to make changes without prior notice.



Part of your business