

# Bourdon tube pressure gauge

## For the process industry, Monel version

### Models 262.50, 263.50

WIKA data sheet PM 02.33



For further approvals,  
see page 6

### Applications

- For gaseous and liquid aggressive media that are not highly viscous or crystallising, also in aggressive environments
- Oil and gas industry, chemical and petrochemical industries, power engineering and also water and wastewater technology
- Sour gas applications, also with NACE requirement

### Special features

- With case filling (model 263) for applications with high dynamic pressure loads and vibrations
- Models 262.X0 and 263.X0: safety version with solid baffle wall (Solidfront) designed in accordance with the requirements of EN 837-1 and ASME B40.100
- Suitability for particularly aggressive media, due to very high corrosion resistance
- EMICOGauge version, to avoid fugitive emissions
- QR code on dial links to instrument-specific information



Bourdon tube pressure gauge, model 262.X0, NS 100 [4"]

### Description

The models 262 and 263 are high-quality Bourdon tube pressure gauges with wetted parts from extremely corrosion-resistant Monel.

The use of high-quality materials and the robust design are geared to applications in the chemical and process engineering industries with particularly aggressive acids or bases. The instrument is suitable for liquid and gaseous media, also in aggressive environments.

Scale ranges from 0 ... 0.6 to 0 ... 1,000 bar [0 ... 10 to 0 ... 15,000 psi] ensure the measuring ranges required for a wide variety of applications.

The safety version is made up of a non-splintering window, a solid baffle wall between measuring system and dial and a blow-out back. In the event of a failure, the user is protected at the front side, as media or components can only be ejected via the rear of the case.

For harsh operating conditions (e.g. vibrations), all instruments are also available with an optional liquid filling.

The QR code on the dial allows instrument-specific information such as the serial number, the order number, certificates and other product data to be retrieved from the internet easily and in the long term.

## Specifications

Basic information	
<b>Standard</b>	<ul style="list-style-type: none"> <li>■ EN 837-1</li> <li>■ ASME B40.100</li> </ul> <p>For information on the "Selection, installation, handling and operation of pressure gauges", see technical information IN 00.05.</p>
<b>Further version</b>	<ul style="list-style-type: none"> <li>■ For oxygen, oil- and grease-free</li> <li>■ Per NACE <sup>1)</sup> MR0175 / ISO 15156, use in H<sub>2</sub>S-containing environments in oil and gas production</li> <li>■ With pre-volume deflagration flame arrester <sup>2)</sup> for mounting to zone 0 (EPL Ga); model 910.21; see data sheet AC 91.02</li> <li>■ EMICOgauge, to avoid fugitive emissions; instrument hook-up with instrumentation valves → See page 10</li> </ul>
<b>Nominal size (NS)</b>	<ul style="list-style-type: none"> <li>■ Ø 63 mm [2 ½"]</li> <li>■ Ø 100 mm [4"]</li> <li>■ Ø 160 mm [6"]</li> </ul>
<b>Connection location</b>	<ul style="list-style-type: none"> <li>■ Lower mount (radial)</li> <li>■ Lower back mount <sup>3)</sup></li> </ul>
<b>Window</b>	Laminated safety glass (NS 63 [2 ½"]: polycarbonate)
<b>Case</b>	
Model 262.50, 263.50	Safety level "S1" per EN 837-1: with blow-out device
Model 262.30, 263.30	Safety level "S3" per EN 837-1: with solid baffle wall and blow-out back
Internal pressure compensation	For scale ranges ≤ 0 ... 16 bar [≤ 0 ... 300 psi] the case can be vented and resealed
Material	<ul style="list-style-type: none"> <li>■ Stainless steel 1.4301 (304)</li> <li>■ Stainless steel 1.4571 (316Ti)</li> </ul>
<b>Ring</b>	Bayonet bezel, stainless steel
<b>Mounting</b>	<ul style="list-style-type: none"> <li>■ Without</li> <li>■ Panel mounting flange, stainless steel</li> <li>■ Panel mounting flange, polished stainless steel</li> <li>■ Model 262.50, 263.50: surface mounting flange, stainless steel</li> <li>■ Model 262.30, 263.30: surface mounting lugs on the back, stainless steel</li> </ul>
<b>Case filling (model 263.50, 263.30)</b>	<ul style="list-style-type: none"> <li>■ Without</li> <li>■ Glycerine</li> <li>■ Glycerine-water mixture for NS 100 [4"] and 160 [6"] with scale range ≤ 0 ... 2.5 bar [≤ 0 ... 40 psi] or for NS 63 [2 ½"] with scale range ≤ 0 ... 4 bar [≤ 0 ... 60 psi]</li> <li>■ Silicone oil</li> </ul>
<b>Movement</b>	<ul style="list-style-type: none"> <li>■ Stainless steel</li> <li>■ everlast® version</li> </ul>

1) General information about NACE standards; see data sheet IN 00.21

2) Only for instruments with Ex approval

3) Not available for NS 160 [6"]

Measuring element	
<b>Type of measuring element</b>	Bourdon tube, C-type or helical type
<b>Material</b>	Monel 400 (2.4360)
<b>Leak tightness</b>	<ul style="list-style-type: none"> <li>■ Helium tested, leakage rate: &lt; 5 · 10<sup>-3</sup> mbar l/s</li> <li>■ Helium tested, leakage rate: &lt; 1 · 10<sup>-6</sup> mbar l/s</li> </ul>

Accuracy specifications		
<b>Accuracy class</b>		
NS 63 [2 ½"]	EN 837-1	Class 1.6
	ASME B40.100	±2 % of measuring span (grade A)
NS 100 [4"], 160 [6"]	EN 837-1	Class 1.0
	ASME B40.100	±1 % of measuring span (grade 1A)
<b>Temperature error</b>	On deviation from the reference conditions at the measuring system: ≤ ±0.4 % per 10 °C [≤ ±0.4 % per 18 °F] of full scale value	
<b>Reference conditions</b>		
Ambient temperature	+20 °C [68 °F]	

## Scale ranges

bar	
0 ... 0.6 <sup>1)</sup>	0 ... 40
0 ... 1	0 ... 60
0 ... 1.6	0 ... 100
0 ... 2.5	0 ... 160
0 ... 4	0 ... 250
0 ... 6	0 ... 400
0 ... 10	0 ... 600
0 ... 16	0 ... 1,000
0 ... 25	-

kg/cm <sup>2</sup>	
0 ... 0.6 <sup>1)</sup>	0 ... 40
0 ... 1	0 ... 60
0 ... 1.6	0 ... 100
0 ... 2.5	0 ... 160
0 ... 4	0 ... 250
0 ... 6	0 ... 400
0 ... 10	0 ... 600
0 ... 16	0 ... 1,000
0 ... 25	-

kPa	
0 ... 60 <sup>1)</sup>	0 ... 4,000
0 ... 100	0 ... 6,000
0 ... 160	0 ... 10,000
0 ... 250	0 ... 16,000
0 ... 400	0 ... 25,000
0 ... 600	0 ... 40,000
0 ... 1,000	0 ... 60,000
0 ... 1,600	0 ... 100,000
0 ... 2,500	-

MPa	
0 ... 0.06 <sup>1)</sup>	0 ... 4
0 ... 0.1	0 ... 6
0 ... 0.16	0 ... 10
0 ... 0.25	0 ... 16
0 ... 0.4	0 ... 25
0 ... 0.6	0 ... 40
0 ... 1	0 ... 60
0 ... 1.6	0 ... 100
0 ... 2.5	-

psi	
0 ... 10 <sup>1)</sup>	0 ... 1,000
0 ... 15	0 ... 1,500
0 ... 30	0 ... 2,000
0 ... 60	0 ... 3,000
0 ... 100	0 ... 4,000
0 ... 160	0 ... 5,000
0 ... 200	0 ... 6,000
0 ... 300	0 ... 7,500
0 ... 400	0 ... 10,000
0 ... 600	0 ... 15,000
0 ... 800	-

1) Not available for NS 63 [2 ½"]

## Vacuum and +/- scale ranges

bar	
-0.6 ... 0 <sup>1)</sup>	-1 ... +5
-1 ... 0	-1 ... +9
-1 ... +0.6	-1 ... +15
-1 ... +1.5	-1 ... +24
-1 ... +3	-

MPa	
-0.06 ... 0 <sup>1)</sup>	-0.1 ... +0.5
-0.1 ... 0	-0.1 ... +0.9
-0.1 ... +0.06	-0.1 ... +1.5
-0.1 ... +0.15	-0.1 ... +2.4
-0.1 ... +0.3	-

kPa	
-60 ... 0 <sup>1)</sup>	-100 ... +500
-100 ... 0	-100 ... +900
-100 ... +60	-100 ... +1,500
-100 ... +150	-100 ... +2,400
-100 ... +300	-

psi	
-30 inHg ... 0	-30 inHg ... +100
-30 inHg ... +15	-30 inHg ... +160
-30 inHg ... +30	-30 inHg ... +200
-30 inHg ... +60	-30 inHg ... +300

1) Not available for NS 63 [2 ½"]

### Further details on: Scale ranges

<b>Unit</b>	<ul style="list-style-type: none"> <li>■ bar</li> <li>■ psi</li> <li>■ kg/cm<sup>2</sup></li> <li>■ kPa</li> <li>■ MPa</li> </ul>
<b>Increased overload safety</b>	<ul style="list-style-type: none"> <li>■ Without</li> <li>■ 2 times</li> <li>■ 3 times</li> <li>■ 4 times</li> <li>■ 5 times</li> </ul> <p>The possibility of selection depends on scale range and nominal size</p>
<b>Vacuum resistance</b>	<ul style="list-style-type: none"> <li>■ Without</li> <li>■ Vacuum-resistant to -1 bar</li> </ul>
<b>Dial</b>	
Scale colour	Black
Material	Aluminium
Customer-specific version	Other scales or customer-specific dials, e.g. with red mark, circular arcs or circular sectors, on request
<b>Pointer</b>	
Instrument pointer	Aluminium, black
Mark pointer / Drag pointer	<ul style="list-style-type: none"> <li>■ Without</li> <li>■ Red mark pointer on dial, fixed</li> <li>■ Red mark pointer on window, adjustable</li> <li>■ Mark pointer on bayonet bezel, adjustable</li> <li>■ Red drag pointer on window, adjustable</li> </ul>
<b>Pointer stop pin</b>	<ul style="list-style-type: none"> <li>■ Without</li> <li>■ At zero point (only for NS 63 [2 ½"])</li> <li>■ At 6 o'clock (only for NS 100 [4"], 160 [6"])</li> </ul>



→ Other scale ranges on request

Process connection	
<b>Standard</b>	<ul style="list-style-type: none"> <li>■ EN 837-1</li> <li>■ ISO 7</li> <li>■ ANSI/B1.20.1</li> </ul>
<b>Size</b>	
EN 837-1	<ul style="list-style-type: none"> <li>■ G 1/8 B, male thread</li> <li>■ G 1/4 B, male thread</li> <li>■ G 1/2 B, male thread</li> <li>■ M12 x 1.5, male thread</li> <li>■ M20 x 1.5, male thread</li> </ul>
ISO 7	<ul style="list-style-type: none"> <li>■ R 1/4, male thread</li> <li>■ R 1/2, male thread</li> </ul>
ANSI/B1.20.1	<ul style="list-style-type: none"> <li>■ 1/4 NPT, male thread</li> <li>■ 1/2 NPT, male thread</li> </ul>
<b>Restrictor</b>	<ul style="list-style-type: none"> <li>■ Without</li> <li>■ Ø 0.6 mm [0.024"], Monel</li> </ul>
<b>Material (wetted)</b>	
Process connection	Monel 400 (2.4360)
Bourdon tube	Monel 400 (2.4360)









→ Other process connections on request

Operating conditions		
<b>Medium temperature</b>		
Instruments without filling	-40 ... +200 °C [-40 ... +392 °F]	
Instruments with glycerine filling	-20 ... +100 °C [-4 ... +212 °F]	
Instruments with silicone oil filling	-40 ... +100 °C [-40 ... +212 °F]	
<b>Ambient temperature</b>		
Instruments without filling or with silicone oil filling	-40 ... +60 °C [-40 ... +140 °F]	
Instruments with glycerine filling	-20 ... +60 °C [-4 ... +140 °F]	
<b>Pressure limitation</b>		
NS 63 [2 1/2"]	Steady	3/4 x full scale value
	Fluctuating	2/3 x full scale value
	Short time	Full scale value
NS 100 [4"], 160 [6"]	Steady	Full scale value
	Fluctuating	0.9 x full scale value
	Short time	1.3 x full scale value
<b>Ingress protection per IEC/EN 60529</b>	<ul style="list-style-type: none"> <li>■ IP65</li> <li>■ IP66</li> <li>■ IP54 (for model 262.30, 263.30 with lower back mount)</li> </ul>	

## Approvals

Logo	Description	Region
	<b>EU declaration of conformity</b> Pressure Equipment Directive PS > 200 bar, module A, pressure accessory	European Union
	<b>UKCA</b> Pressure equipment (safety) regulations	United Kingdom
-	<b>CRN</b> Safety (e.g. electr. safety, overpressure, ...)	Canada

## Optional approvals

Logo	Description	Region
 	<b>EU declaration of conformity</b> ATEX directive Hazardous areas - Ex h Gas II 2G Ex h IIC T6 ... T1 Gb X Dust II 2D Ex h IIIC T85°C ... T450°C Db X	European Union
	<b>UKCA</b> Equipment and protective systems intended for use in potentially explosive atmospheres regulations	United Kingdom
	<b>EAC</b> Hazardous areas	Eurasian Economic Community
	<b>Ex Ukraine</b> Hazardous areas	Ukraine
	<b>PAC Kazakhstan</b> Metrology, measurement technology	Kazakhstan
-	<b>MChS</b> Permission for commissioning	Kazakhstan
-	<b>PAC Ukraine</b> Metrology, measurement technology	Ukraine
	<b>PAC Uzbekistan</b> Metrology, measurement technology	Uzbekistan
-	<b>PAC China</b> Metrology, measurement technology	China
	<b>DNV</b> Ships, shipbuilding (e.g. offshore)	International

## Manufacturer's information and certificates

Logo	Description
-	Emission protection in accordance with TA-Luft (VDI 2440) <sup>1)</sup>
-	Pressure Equipment Directive (PED) for maximum allowable pressure PS ≤ 200 bar

1) Only available for EMICOGauge, see page 12

## Certificates (option)

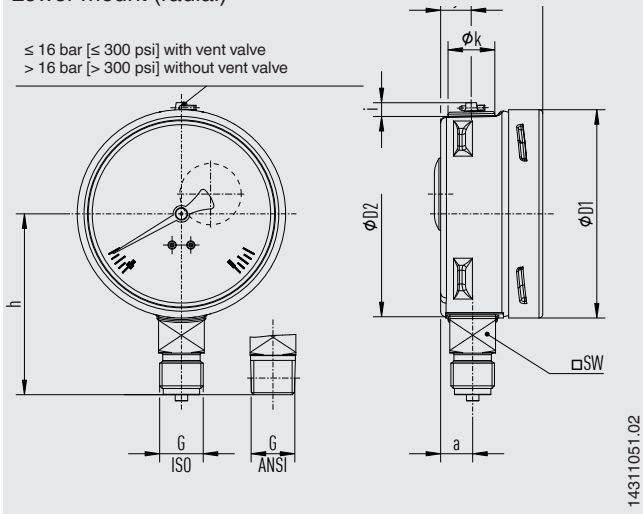
Certificates	
<b>Certificates</b>	<ul style="list-style-type: none"> <li>■ 2.2 test report per EN 10204 (e.g. state-of-the-art manufacturing, indication accuracy)</li> <li>■ 3.1 inspection certificate per EN 10204 (e.g. material proof for wetted metal parts, indication accuracy)</li> <li>■ PCA calibration certificate, traceable and accredited in accordance with ISO/IEC 17025</li> <li>■ Calibration certificate by a national accreditation body, traceable and accredited in accordance with ISO/IEC 17025 on request</li> </ul>
<b>Recommended calibration interval</b>	1 year (dependent on conditions of use)

→ For approvals and certificates, see website

## Models 262.50 and 263.50, dimensions in mm [in]

### Lower mount (radial)

≤ 16 bar [≤ 300 psi] with vent valve  
 > 16 bar [> 300 psi] without vent valve



NS	Weight	
	Model 262.50	Model 263.50
63 [2 ½"]	Approx. 0.16 kg [0.35 lb]	Approx. 0.20 kg [0.44 lb]
100 [4"]	Approx. 0.6 kg [1.32 lb]	Approx. 0.9 kg [1.98 lb]
160 [6"]	Approx. 1.1 kg [2.43 lb]	Approx. 2.0 kg [4.41 lb]

### Process connection with thread per EN 837-1

NS	G	Dimensions in mm [in]								
		h ±1	a	b	D1	D2	i	j	k	SW
63 [2 ½"]	G ¼ B	54 [2.13]	9.5 [0.37]	33 [1.30]	63 [2.48]	62 [2.44]	6 [0.24]	10 [0.39]	15 [0.59]	14 [0.55]
	G ⅝ B	51 [2.01]	9.5 [0.37]	33 [1.30]	63 [2.48]	62 [2.44]	6 [0.24]	10 [0.39]	15 [0.59]	14 [0.55]
	M12 x 1.5	54 [2.13]	9.5 [0.37]	33 [1.30]	63 [2.48]	62 [2.44]	6 [0.24]	10 [0.39]	15 [0.59]	14 [0.55]
100 [4"]	G ¼ B	80 [3.15]	15.5 [0.61]	49.5 [1.95]	101 [3.98]	99 [3.90]	6.5 [0.26]	14.5 [0.57]	22.5 [0.89]	22 [0.87]
	G ½ B	87 [3.43]	15.5 [0.61]	49.5 [1.95]	101 [3.98]	99 [3.90]	6.5 [0.26]	14.5 [0.57]	22.5 [0.89]	22 [0.87]
	M12 x 1.5	80 [3.15]	15.5 [0.61]	49.5 [1.95]	101 [3.98]	99 [3.90]	6.5 [0.26]	14.5 [0.57]	22.5 [0.89]	22 [0.87]
160 [6"]	M20 x 1.5	87 [3.43]	15.5 [0.61]	49.5 [1.95]	101 [3.98]	99 [3.90]	6.5 [0.26]	14.5 [0.57]	22.5 [0.89]	22 [0.87]
	G ¼ B	111 [4.37]	15.5 [0.61]	51.5 [2.03] <sup>1)</sup>	161 [6.34]	159 [6.26]	6.5 [0.26]	14.5 [0.57]	22.5 [0.89]	22 [0.87]
	G ½ B	118 [4.65]	15.5 [0.61]	51.5 [2.03] <sup>1)</sup>	161 [6.34]	159 [6.26]	6.5 [0.26]	14.5 [0.57]	22.5 [0.89]	22 [0.87]
160 [6"]	M12 x 1.5	111 [4.37]	15.5 [0.61]	51.5 [2.03] <sup>1)</sup>	161 [6.34]	159 [6.26]	6.5 [0.26]	14.5 [0.57]	22.5 [0.89]	22 [0.87]
	M20 x 1.5	118 [4.65]	15.5 [0.61]	51.5 [2.03] <sup>1)</sup>	161 [6.34]	159 [6.26]	6.5 [0.26]	14.5 [0.57]	22.5 [0.89]	22 [0.87]

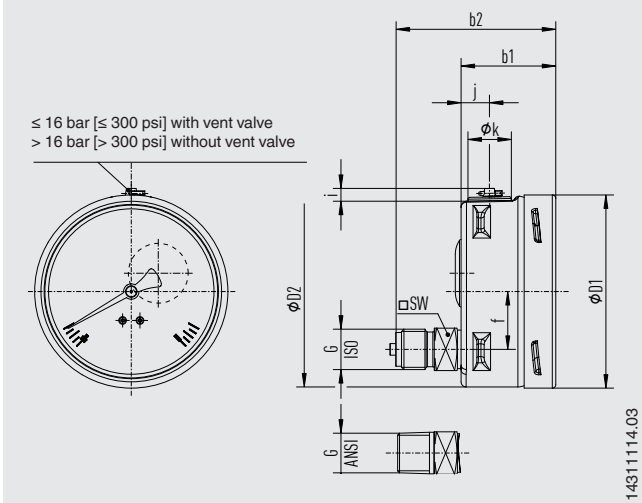
### Process connection with thread per ISO 7

NS	G	Dimensions in mm [in]								
		h ±1	a	b	D1	D2	i	j	k	SW
63 [2 ½"]	R ¼	54 [2.13]	9.5 [0.37]	33 [1.30]	63 [2.48]	62 [2.44]	6 [0.24]	10 [0.39]	15 [0.59]	14 [0.55]
100 [4"]	R ¼	80 [3.15]	15.5 [0.61]	49.5 [1.95]	101 [3.98]	99 [3.90]	6.5 [0.26]	14.5 [0.57]	22.5 [0.89]	22 [0.87]
	R ½	86 [3.39]	15.5 [0.61]	49.5 [1.95]	101 [3.98]	99 [3.90]	6.5 [0.26]	14.5 [0.57]	22.5 [0.89]	22 [0.87]
160 [6"]	R ¼	111 [4.37]	15.5 [0.61]	51.5 [2.03] <sup>1)</sup>	161 [6.34]	159 [6.26]	6.5 [0.26]	14.5 [0.57]	22.5 [0.89]	22 [0.87]
	R ½	117 [4.60]	15.5 [0.61]	51.5 [2.03] <sup>1)</sup>	161 [6.34]	159 [6.26]	6.5 [0.26]	14.5 [0.57]	22.5 [0.89]	22 [0.87]

### Process connection with thread per ANSI/B1.20.1

NS	G	Dimensions in mm [in]								
		h ±1	a	b	D1	D2	i	j	k	SW
63 [2 ½"]	¼ NPT	54 [2.13]	9.5 [0.37]	33 [1.30]	63 [2.48]	62 [2.44]	6 [0.24]	10 [0.39]	15 [0.59]	14 [0.55]
	⅝ NPT	51 [2.01]	9.5 [0.37]	33 [1.30]	63 [2.48]	62 [2.44]	6 [0.24]	10 [0.39]	15 [0.59]	14 [0.55]
100 [4"]	¼ NPT	80 [3.15]	15.5 [0.61]	49.5 [1.95]	101 [3.98]	99 [3.90]	6.5 [0.26]	14.5 [0.57]	22.5 [0.89]	22 [0.87]
	½ NPT	86 [3.39]	15.5 [0.61]	49.5 [1.95]	101 [3.98]	99 [3.90]	6.5 [0.26]	14.5 [0.57]	22.5 [0.89]	22 [0.87]
160 [6"]	¼ NPT	111 [4.37]	15.5 [0.61]	51.5 [2.03] <sup>1)</sup>	161 [6.34]	159 [6.26]	6.5 [0.26]	14.5 [0.57]	22.5 [0.89]	22 [0.87]
	½ NPT	117 [4.60]	15.5 [0.61]	51.5 [2.03] <sup>1)</sup>	161 [6.34]	159 [6.26]	6.5 [0.26]	14.5 [0.57]	22.5 [0.89]	22 [0.87]

### Lower back mount



NS	Weight	
	Model 262.50	Model 263.50
63 [2 ½"]	Approx. 0.16 kg [0.35 lb]	Approx. 0.20 kg [0.44 lb]
100 [4"]	Approx. 0.6 kg [1.32 lb]	Approx. 0.9 kg [1.98 lb]

### Process connection with thread per EN 837-1

NS	G	Dimensions in mm [in]								
		h ±1	b	D1	D2	e	i	j	k	SW
63 [2 ½"]	G ¼ B	57 [2.24]	33 [1.30]	63 [2.48]	62 [2.44]	18.5 [0.73]	6 [0.24]	10 [0.39]	15 [0.59]	14 [0.55]
	G ⅜ B	54 [2.13]	33 [1.30]	63 [2.48]	62 [2.44]	18.5 [0.73]	6 [0.24]	10 [0.39]	15 [0.59]	14 [0.55]
	M12 x 1.5	57 [2.24]	33 [1.30]	63 [2.48]	62 [2.44]	18.5 [0.73]	6 [0.24]	10 [0.39]	15 [0.59]	14 [0.55]
100 [4"]	G ¼ B	76 [2.99]	49.5 [1.95]	101 [3.98]	99 [3.90]	30 [1.181]	6.5 [0.26]	14.5 [0.57]	22.5 [0.89]	22 [0.87]
	G ½ B	83 [3.27]	49.5 [1.95]	101 [3.98]	99 [3.90]	30 [1.181]	6.5 [0.26]	14.5 [0.57]	22.5 [0.89]	22 [0.87]
	M12 x 1.5	76 [2.99]	49.5 [1.95]	101 [3.98]	99 [3.90]	30 [1.181]	6.5 [0.26]	14.5 [0.57]	22.5 [0.89]	22 [0.87]
	M20 x 1.5	83 [3.27]	49.5 [1.95]	101 [3.98]	99 [3.90]	30 [1.181]	6.5 [0.26]	14.5 [0.57]	22.5 [0.89]	22 [0.87]

### Process connection with thread per ISO 7

NS	G	Dimensions in mm [in]								
		h ±1	b	D1	D2	e	i	j	k	SW
63 [2 ½"]	R ¼	57 [2.24]	33 [1.30]	63 [2.48]	62 [2.44]	18.5 [0.73]	6 [0.24]	10 [0.39]	15 [0.59]	14 [0.55]
100 [4"]	R ¼	76 [2.99]	49.5 [1.95]	101 [3.98]	99 [3.90]	30 [1.181]	6.5 [0.26]	14.5 [0.57]	22.5 [0.89]	22 [0.87]
	R ½	82 [3.23]	49.5 [1.95]	101 [3.98]	99 [3.90]	30 [1.181]	6.5 [0.26]	14.5 [0.57]	22.5 [0.89]	22 [0.87]

### Process connection with thread per ANSI/B1.20.1

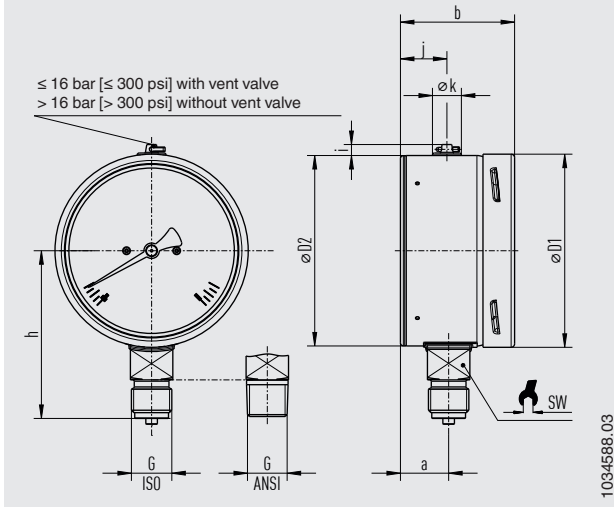
NS	G	Dimensions in mm [in]								
		h ±1	b	D1	D2	e	i	j	k	SW
63 [2 ½"]	¼ NPT	54 [2.13]	33 [1.30]	63 [2.48]	62 [2.44]	50 [1.97]	6 [0.24]	10 [0.39]	15 [0.59]	14 [0.55]
	⅜ NPT	51 [2.01]	33 [1.30]	63 [2.48]	62 [2.44]	50 [1.97]	6 [0.24]	10 [0.39]	15 [0.59]	14 [0.55]
100 [4"]	¼ NPT	80 [3.15]	49.5 [1.95]	101 [3.98]	99 [3.90]	50 [1.97]	6.5 [0.26]	14.5 [0.57]	22.5 [0.89]	22 [0.87]
	½ NPT	86 [3.39]	49.5 [1.95]	101 [3.98]	99 [3.90]	50 [1.97]	6.5 [0.26]	14.5 [0.57]	22.5 [0.89]	22 [0.87]

1) Plus 16 mm [0.630 in] with scale ranges ≥ 0 ... 100 bar [≥ 0 ... 1,500 psi]



## Models 262.30 and 263.30, dimensions in mm [in]

Lower mount (radial)



NS	Weight	
	Model 262.30	Model 263.30
63 [2 ½"]	Approx. 0.20 kg [0.44 lb]	Approx. 0.26 kg [0.57 lb]
100 [4"]	Approx. 0.65 kg [1.43 lb]	Approx. 1.08 kg [2.38 lb]
160 [6"]	Approx. 1.30 kg [2.87 lb]	Approx. 2.34 kg [4.94 lb]

### Process connection with thread per EN 837-1

NS	G	Dimensions in mm [in]								
		$h \pm 1$ [0.04]	a	b	D1	D2	i	j	k	SW
63 [2 ½"]	G ¼ B	54 [2.13]	17.5 [0.69]	42 [1.65]	63 [2.48]	62 [2.44]	6 [0.24]	18 [0.71]	15 [0.59]	14 [0.55]
	G ½ B	51 [2.01]	17.5 [0.69]	42 [1.65]	63 [2.48]	62 [2.44]	6 [0.24]	18 [0.71]	15 [0.59]	14 [0.55]
	M12 x 1.5	54 [2.13]	17.5 [0.69]	42 [1.65]	63 [2.48]	62 [2.44]	6 [0.24]	18 [0.71]	15 [0.59]	14 [0.55]
100 [4"]	G ¼ B	87 [3.43]	25 [0.98]	59.5 [2.34]	100 [3.94]	100 [3.94]	6 [0.24]	24 [0.94]	15 [0.59]	22 [0.87]
	G ½ B	87 [3.43]	25 [0.98]	59.5 [2.34]	100 [3.94]	100 [3.94]	6 [0.24]	24 [0.94]	15 [0.59]	22 [0.87]
	M12 x 1.5	80 [3.15]	25 [0.98]	59.5 [2.34]	100 [3.94]	100 [3.94]	6 [0.24]	24 [0.94]	15 [0.59]	22 [0.87]
160 [6"]	M20 x 1.5	87 [3.43]	25 [0.98]	59.5 [2.34]	100 [3.94]	100 [3.94]	6 [0.24]	24 [0.94]	15 [0.59]	22 [0.87]
	G ¼ B	111 [4.37]	27 [1.06] <sup>1)</sup>	65 [2.56] <sup>2)</sup>	159 [6.26]	159 [6.26]	6 [0.24]	18.5 [0.73]	15 [0.59]	22 [0.87]
	G ½ B	118 [4.65]	27 [1.06] <sup>1)</sup>	65 [2.56] <sup>2)</sup>	159 [6.26]	159 [6.26]	6 [0.24]	18.5 [0.73]	15 [0.59]	22 [0.87]
160 [6"]	M12 x 1.5	111 [4.37]	27 [1.06] <sup>1)</sup>	65 [2.56] <sup>2)</sup>	159 [6.26]	159 [6.26]	6 [0.24]	18.5 [0.73]	15 [0.59]	22 [0.87]
	M20 x 1.5	118 [4.65]	27 [1.06] <sup>1)</sup>	65 [2.56] <sup>2)</sup>	159 [6.26]	159 [6.26]	6 [0.24]	18.5 [0.73]	15 [0.59]	22 [0.87]

### Process connection with thread per ISO 7

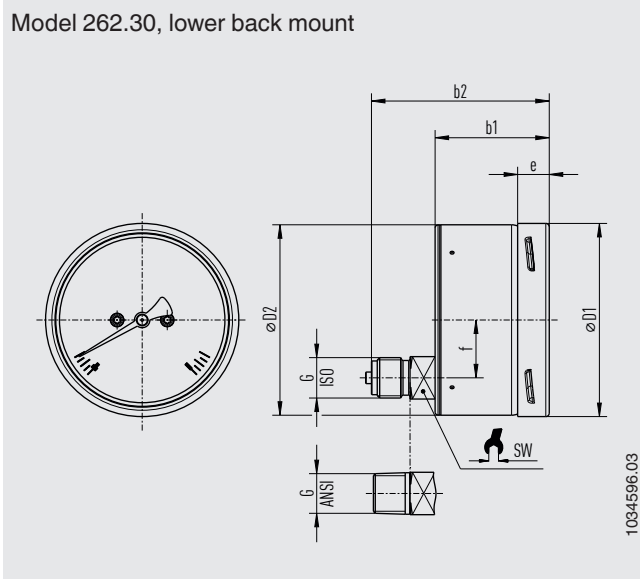
NS	G	Dimensions in mm [in]								
		$h \pm 1$ [0.04]	a	b	D1	D2	i	j	k	SW
63 [2 ½"]	R ¼	54 [2.13]	17.5 [0.69]	42 [1.65]	63 [2.48]	62 [2.44]	6 [0.24]	18 [0.71]	15 [0.59]	14 [0.55]
100 [4"]	R ¼	80 [3.15]	25 [0.98]	59.5 [2.34]	100 [3.94]	100 [3.94]	6 [0.24]	24 [0.94]	15 [0.59]	22 [0.87]
	R ½	86 [3.39]	25 [0.98]	59.5 [2.34]	100 [3.94]	100 [3.94]	6 [0.24]	24 [0.94]	15 [0.59]	22 [0.87]
160 [6"]	R ¼	111 [4.37]	27 [1.06] <sup>1)</sup>	65 [2.56] <sup>2)</sup>	159 [6.26]	159 [6.26]	6 [0.24]	18.5 [0.73]	15 [0.59]	22 [0.87]
	R ½	117 [4.61]	27 [1.06] <sup>1)</sup>	65 [2.56] <sup>2)</sup>	159 [6.26]	159 [6.26]	6 [0.24]	18.5 [0.73]	15 [0.59]	22 [0.87]

### Process connection with thread per ANSI/B1.20.1

NS	G	Dimensions in mm [in]								
		$h \pm 1$ [0.04]	a	b	D1	D2	i	j	k	SW
63 [2 ½"]	¼ NPT	54 [2.13]	17.5 [0.69]	42 [1.65]	63 [2.48]	62 [2.44]	6 [0.24]	18 [0.71]	15 [0.59]	14 [0.55]
	½ NPT	51 [2.01]	17.5 [0.69]	42 [1.65]	63 [2.48]	62 [2.44]	6 [0.24]	18 [0.71]	15 [0.59]	14 [0.55]
100 [4"]	¼ NPT	80 [3.15]	25 [0.98]	59.5 [2.34]	100 [3.94]	100 [3.94]	6 [0.24]	24 [0.94]	15 [0.59]	22 [0.87]
	½ NPT	86 [3.39]	25 [0.98]	59.5 [2.34]	100 [3.94]	100 [3.94]	6 [0.24]	24 [0.94]	15 [0.59]	22 [0.87]
160 [6"]	¼ NPT	111 [4.37]	27 [1.06] <sup>1)</sup>	65 [2.56] <sup>2)</sup>	159 [6.26]	159 [6.26]	6 [0.24]	18.5 [0.73]	15 [0.59]	22 [0.87]
	½ NPT	117 [4.61]	27 [1.06] <sup>1)</sup>	65 [2.56] <sup>2)</sup>	159 [6.26]	159 [6.26]	6 [0.24]	18.5 [0.73]	15 [0.59]	22 [0.87]

1) With scale range ≥ 0 ... 100 bar [1,500 psi] a = 41.5 [1.63]  
 2) With scale range ≥ 0 ... 100 bar [1,500 psi] b = 79 [3.11]

Model 262.30, lower back mount



NS	Weight, model 262.30
63 [2 1/2"]	Approx. 0.20 kg [0.44 lb]
100 [4"]	Approx. 0.65 kg [1.43 lb]

**Process connection with thread per EN 837-1**

NS	G	Dimensions in mm [in]						
		b1	b2	D1	D2	e	f	SW
63 [2 1/2"]	G 1/4 B	42 [1.65]	61 [2.4]	63 [2.48]	62 [2.44]	14.5 [0.57]	18.5 [0.73]	14 [0.55]
	G 1/8 B	42 [1.65]	61 [2.4]	63 [2.48]	62 [2.44]	14.5 [0.57]	18.5 [0.73]	14 [0.55]
	M12 x 1.5	42 [1.65]	61 [2.4]	63 [2.48]	62 [2.44]	14.5 [0.57]	18.5 [0.73]	14 [0.55]
100 [4"]	G 1/4 B	59.5 [2.34]	93 [3.66]	101 [3.98]	100 [3.94]	17 [0.67]	30 [1.18]	22 [0.87]
	G 1/2 B	59.5 [2.34]	93 [3.66]	101 [3.98]	100 [3.94]	17 [0.67]	30 [1.18]	22 [0.87]
	M12 x 1.5	59.5 [2.34]	93 [3.66]	101 [3.98]	100 [3.94]	17 [0.67]	30 [1.18]	22 [0.87]
	M20 x 1.5	59.5 [2.34]	93 [3.66]	101 [3.98]	100 [3.94]	17 [0.67]	30 [1.18]	22 [0.87]

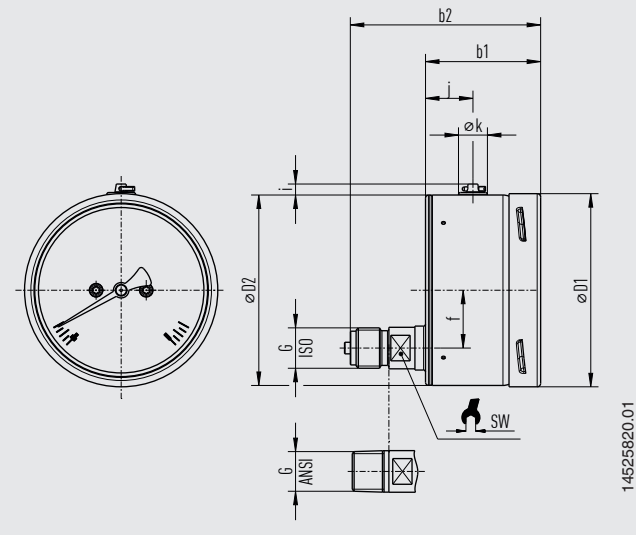
**Process connection with thread per ISO 7**

NS	G	Dimensions in mm [in]						
		b1	b2	D1	D2	e	f	SW
63 [2 1/2"]	R 1/4	42 [1.65]	61 [2.4]	63 [2.48]	62 [2.44]	14.5 [0.57]	18.5 [0.73]	14 [0.55]
100 [4"]	R 1/4	59.5 [2.34]	93 [3.66]	101 [3.98]	100 [3.94]	17 [0.67]	30 [1.18]	22 [0.87]
	R 1/2	59.5 [2.34]	93 [3.66]	101 [3.98]	100 [3.94]	17 [0.67]	30 [1.18]	22 [0.87]

**Process connection with thread per ANSI/B1.20.1**

NS	G	Dimensions in mm [in]						
		b1	b2	D1	D2	e	f	SW
63 [2 1/2"]	1/4 NPT	42 [1.65]	61 [2.4]	63 [2.48]	62 [2.44]	14.5 [0.57]	18.5 [0.73]	14 [0.55]
	1/8 NPT	42 [1.65]	61 [2.4]	63 [2.48]	62 [2.44]	14.5 [0.57]	18.5 [0.73]	14 [0.55]
100 [4"]	1/4 NPT	59.5 [2.34]	93 [3.66]	101 [3.98]	100 [3.94]	17 [0.67]	30 [1.18]	22 [0.87]
	1/2 NPT	59.5 [2.34]	93 [3.66]	101 [3.98]	100 [3.94]	17 [0.67]	30 [1.18]	22 [0.87]

Model 263.30, lower back mount



NS	Weight, model 263.30
63 [2 1/2"]	Approx. 0.28 kg [0.62 lb]
100 [4"]	Approx. 1.08 kg [2.38 lb]

**Process connection with thread per EN 837-1**

NS	G	Dimensions in mm [in]								
		b1	b2	D1	D2	f	i	j	k	SW
63 [2 1/2"]	G 1/4 B	42 [1.65]	68 [2.68]	63 [2.48]	62 [2.44]	18.5 [0.73]	6 [0.24]	18 [0.71]	15 [0.59]	14 [0.55]
	G 1/8 B	42 [1.65]	68 [2.68]	63 [2.48]	62 [2.44]	18.5 [0.73]	6 [0.24]	18 [0.71]	15 [0.59]	14 [0.55]
	M12 x 1.5	42 [1.65]	68 [2.68]	63 [2.48]	62 [2.44]	18.5 [0.73]	6 [0.24]	18 [0.71]	15 [0.59]	14 [0.55]
100 [4"]	G 1/4 B	59.5 [2.34]	100 [3.94]	101 [3.98]	100 [3.94]	30 [1.18]	6 [0.24]	24 [0.94]	15 [0.59]	22 [0.87]
	G 1/2 B	59.5 [2.34]	100 [3.94]	101 [3.98]	100 [3.94]	30 [1.18]	6 [0.24]	24 [0.94]	15 [0.59]	22 [0.87]
	M12 x 1.5	59.5 [2.34]	100 [3.94]	101 [3.98]	100 [3.94]	30 [1.18]	6 [0.24]	24 [0.94]	15 [0.59]	22 [0.87]
	M20 x 1.5	59.5 [2.34]	100 [3.94]	101 [3.98]	100 [3.94]	30 [1.18]	6 [0.24]	24 [0.94]	15 [0.59]	22 [0.87]

**Process connection with thread per ISO 7**

NS	G	Dimensions in mm [in]								
		b1	b2	D1	D2	f	i	j	k	SW
63 [2 1/2"]	R 1/4	42 [1.65]	68 [2.68]	63 [2.48]	62 [2.44]	18.5 [0.73]	6 [0.24]	18 [0.71]	15 [0.59]	14 [0.55]
100 [4"]	R 1/4	59.5 [2.34]	100 [3.94]	101 [3.98]	100 [3.94]	30 [1.18]	6 [0.24]	24 [0.94]	15 [0.59]	22 [0.87]
	R 1/2	59.5 [2.34]	100 [3.94]	101 [3.98]	100 [3.94]	30 [1.18]	6 [0.24]	24 [0.94]	15 [0.59]	22 [0.87]

**Process connection with thread per ANSI/B1.20.1**

NS	G	Dimensions in mm [in]								
		b1	b2	D1	D2	f	i	j	k	SW
63 [2 1/2"]	1/4 NPT	42 [1.65]	68 [2.68]	63 [2.48]	62 [2.44]	18.5 [0.73]	6 [0.24]	18 [0.71]	15 [0.59]	14 [0.55]
	1/8 NPT	42 [1.65]	68 [2.68]	63 [2.48]	62 [2.44]	18.5 [0.73]	6 [0.24]	18 [0.71]	15 [0.59]	14 [0.55]
100 [4"]	1/4 NPT	59.5 [2.34]	100 [3.94]	101 [3.98]	100 [3.94]	30 [1.18]	6 [0.24]	24 [0.94]	15 [0.59]	22 [0.87]
	1/2 NPT	59.5 [2.34]	100 [3.94]	101 [3.98]	100 [3.94]	30 [1.18]	6 [0.24]	24 [0.94]	15 [0.59]	22 [0.87]